



# BLACK SNAKE

NEXT GENERATION AIR TOOLS

## Rust & Paint Removal Kit

**RMAX-RPRK**



## Specifications

A versatile kit for removing paint, adhesive, rust, decals, dirt, etc. Safety focused with double side guards, safety lever and 180 degree rotational handle for precise control.

Replacement consumables available.

- RPM: 4,000
- Spindle thread: 9mm
- Avg Air Cons: 3.5 CFM

## Warranty Statement

Thank you for purchasing this Endeavour "Black Snake" Rust & Paint Removal Kit. Endeavour Tools guarantees this tool against defects in material and workmanship for a period of 24 months from date of purchase. This warranty excludes consumable items in this kit.

- Endeavour Tools warrants the quality of these goods against defects in material and workmanship only.
- Defective goods shall only be replaced, repaired or the purchase price refunded if:
  - the customer notifies Endeavour Tools by providing a full report describing the defect in writing within 7 days of discovery of the defect; and
  - the notification above provided to Endeavour Tools is prior to the expiry of the warranty period;
  - the customer forwards the defective goods together with proof of purchase from Endeavour Tools or its authorized distributor at their expense, within 14 days of any request by Endeavour Tools to do so; and
  - the goods since the date of delivery to the customer have been properly maintained, store and housed and the goods have not been abused or modified; and
  - Endeavour Tools determines that there is a defect due to faulty workmanship or the use of a defective material.
- Endeavour Tools may replace or repair the defective good (or part thereof) or refund the purchase price of the defective good at its option.
- Endeavour Tools shall not be responsible for any loss or damage arising from or in any way connected with the use of the goods.
- To the maximum extent permitted by law, a claim in respect to a defective good shall not be permitted in the event that the goods have not been installed, used, maintained, or housed in a proper and workmanlike manner or in accordance with the usual standards or manufacturers specifications or instructions or if the goods have been modified, repaired or altered by any person apart from Endeavour Tools.

**Notwithstanding our warranty terms above, our goods come with guarantees that cannot be excluded under the Australian Consumer Law. You are entitled to a replacement or refund for a major failure and for compensation for any other reasonably foreseeable loss or damage. You are also entitled to have the goods repaired or replaced if the goods fail to be of acceptable quality and the failure does not amount to a major failure.**

**The benefits under our warranty are in addition to other rights and remedies under a law in relation to the goods.**

**Warranty provided by and warranty claims should be submitted to the address below.**



### Warning:

Rated RPM Of The Accessory Used Must Exceed The Maximum Tool RPM Shown



Lubricate the air motor daily with quality air tool oil



For safety, performance and maximum durability of parts DO NOT operate this tool above 90 PSI.



**endeavourtools**  
Innovation - Performance - Quality

Endeavour Tools PTY LTD  
ABN 13 006 307 213

sales@endeavourtools.com.au  
www.endeavourtools.com.au

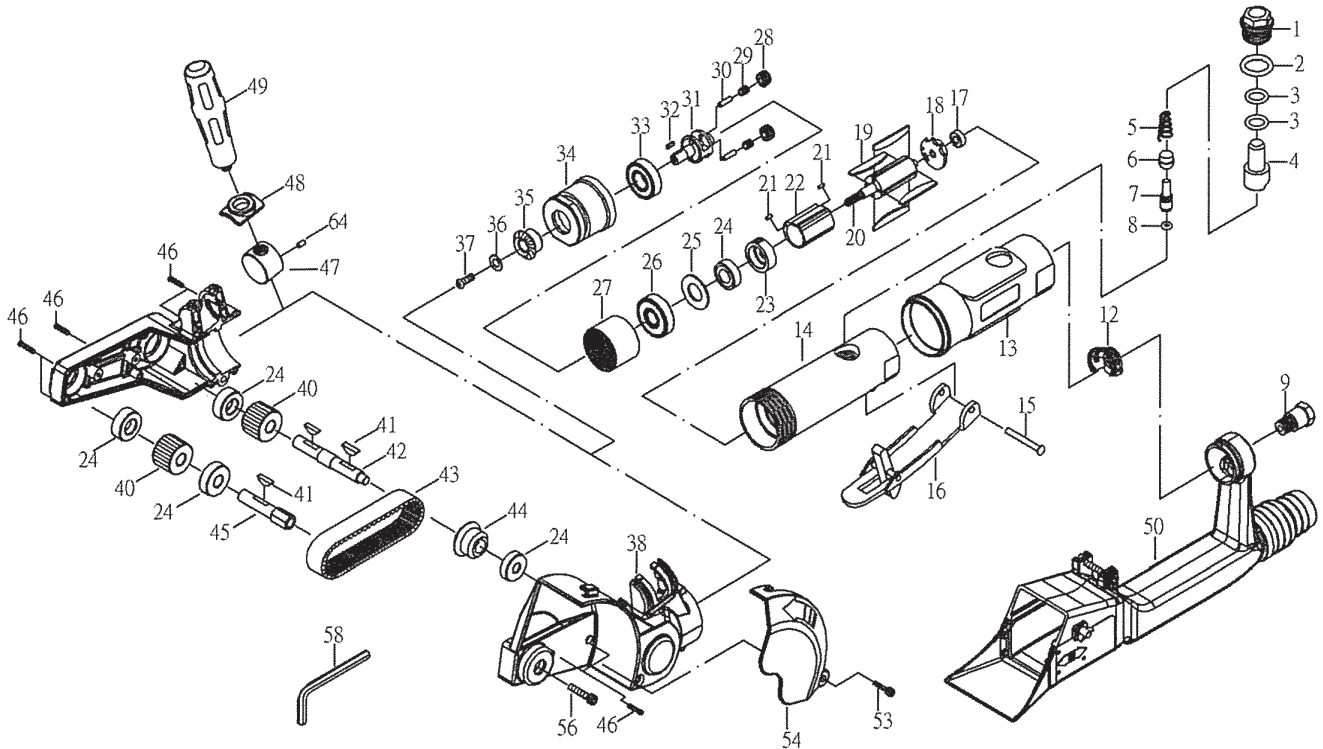
Suite 1/2, 12-18  
Victoria Street East  
Lidcombe NSW 2141  
Phone: +61 3 9753 3800 Phone: +61 2 9646 4222  
Fax: +61 3 9753 9393 Fax: +61 2 9646 5399

# RMAX-RPRK

## Rust & Paint Removal Kit



**BLACK SNAKE**  
NEXT GENERATION AIR TOOLS



NO	DESCRIPTION	Q'TY	NO	DESCRIPTION	Q'TY
01	SCREW	1	29	NEEDLE BEARING	2
02	O-RING(P12)	1	30	IDLER GEAR PIN	2
03	O-RING(P8)	2	31	GEAR PLATE	1
04	AIR REGULATOR	1	32	SLIDING KEY	1
05	SPRING	1	33	BEARING (6200ZZ)	1
06	VALVE STEM BUSHING	1	34	CLAMP NUT	1
07	VALVE STEM	1	35	BEVEL GEAR	1
08	O-RING(3.5*1.4)	1	36	WASHER	1
09	AIR INLET (19)	1	37	SCREW (M4*6)	1
12	CONE MUFFLER	1	38	PLASTIC HOUSING	1
13	PROTECTING RUBBER	1	40	TOOTHED PULLEY	2
14	HOUSING	1	41	KEY (3*13)	3
15	SPRING PIN	1	42	BELT DRIVE SHAFT	1
16	LEVER	1	43	TOOTHED BELT	1
17	BEARING(696ZZ)	1	44	LEFT BEVEL GEAR (20T)	1
18	REAR PLATE	1	45	BELT DRIVE SHAFT (M6)	1
19	ROTOR BLADE	4	46	SCREW (3*18L)	11
20	ROTOR (9T)	1	47	NUT	1
21	PIN	2	48	HANDLE RING	1
22	CYLINDER	1	49	HANDLE	1
23	FRONT PLATE	1	50	VACUUM ADAPTER	1
24	BEARING(608ZZ)	5	53	SCREW	1
25	WASHER	1	54	COVER	1
26	BEARING(6001Z)	1	56	SCREW (M6*25L)	1
27	THREAD RING GEAR	1	58	HEX (5MM)	1
28	IDLER GEAR (16T)	2	64	PIN (3*5)	1