



THE BLACK RATTLER

NEXT GENERATION AIR TOOLS

1/4" Die Grinder (0.3HP)

RMAX-DGN



Specifications

- Power: 0.3HP
- Free Speed: 25,000 RPM
- Collet Size: 1/4"
- Air Consumption: 4 CFM (113 L/min)
- Length: 155mm
- Other collet sizes available: 1/8", 3mm, 6mm



Warning:

Rated RPM Of The Accessory Used Must Exceed The Maximum Tool RPM Shown



For safety, performance and maximum durability of parts DO NOT operate this tool above 90 PSI.

Lubricate the air motor daily with quality air tool oil

Warranty Statement

Thank you for purchasing this Endeavour "Black Rattler" die grinder. Endeavour Tools guarantees this die grinder against defects in material and workmanship for a period of **24 months from date of purchase.**

- Endeavour Tools warrants the quality of these goods against defects in material and workmanship only.
- Defective goods shall only be replaced, repaired or the purchase price refunded if:
 - the customer notifies Endeavour Tools by providing a full report describing the defect in writing within 7 days of discovery of the defect; and
 - the notification above provided to Endeavour Tools is prior to the expiry of the warranty period; and
 - the customer forwards the defective goods together with proof of purchase from Endeavour Tools or its authorised distributor at their expense, within 14 days of any request by Endeavour Tools to do so; and
 - the goods since the date of delivery to the customer have been properly maintained, store and housed and the goods have not been abused or modified; and
 - Endeavour Tools determines that there is a defect due to faulty workmanship or the use of a defective material.
- Endeavour Tools may replace or repair the defective good (or part thereof) or refund the purchase price of the defective good at its option.
- Endeavour Tools shall not be responsible for any loss or damage arising from or in any way connected with the use of the goods.
- To the maximum extent permitted by law, a claim in respect to a defective good shall not be permitted in the event that the goods have not been installed, used, maintained, or housed in a proper and workmanlike manner or in accordance with the usual standards or manufacturers specifications or instructions or if the goods have been modified, repaired or altered by any person apart from Endeavour Tools.

Notwithstanding our warranty terms above, our goods come with guarantees that cannot be excluded under the Australian Consumer Law. You are entitled to a replacement or refund for a major failure and for compensation for any other reasonably foreseeable loss or damage. You are also entitled to have the goods repaired or replaced if the goods fail to be of acceptable quality and the failure does not amount to a major failure.

The benefits under our warranty are in addition to other rights and remedies under a law in relation to the goods. Warranty provided by and warranty claims should be submitted to the address below.



endeavourtools
Innovation - Performance - Quality

Endeavour Tools PTY LTD
ABN 13 006 307 213

sales@endeavourtools.com.au
www.endeavourtools.com.au

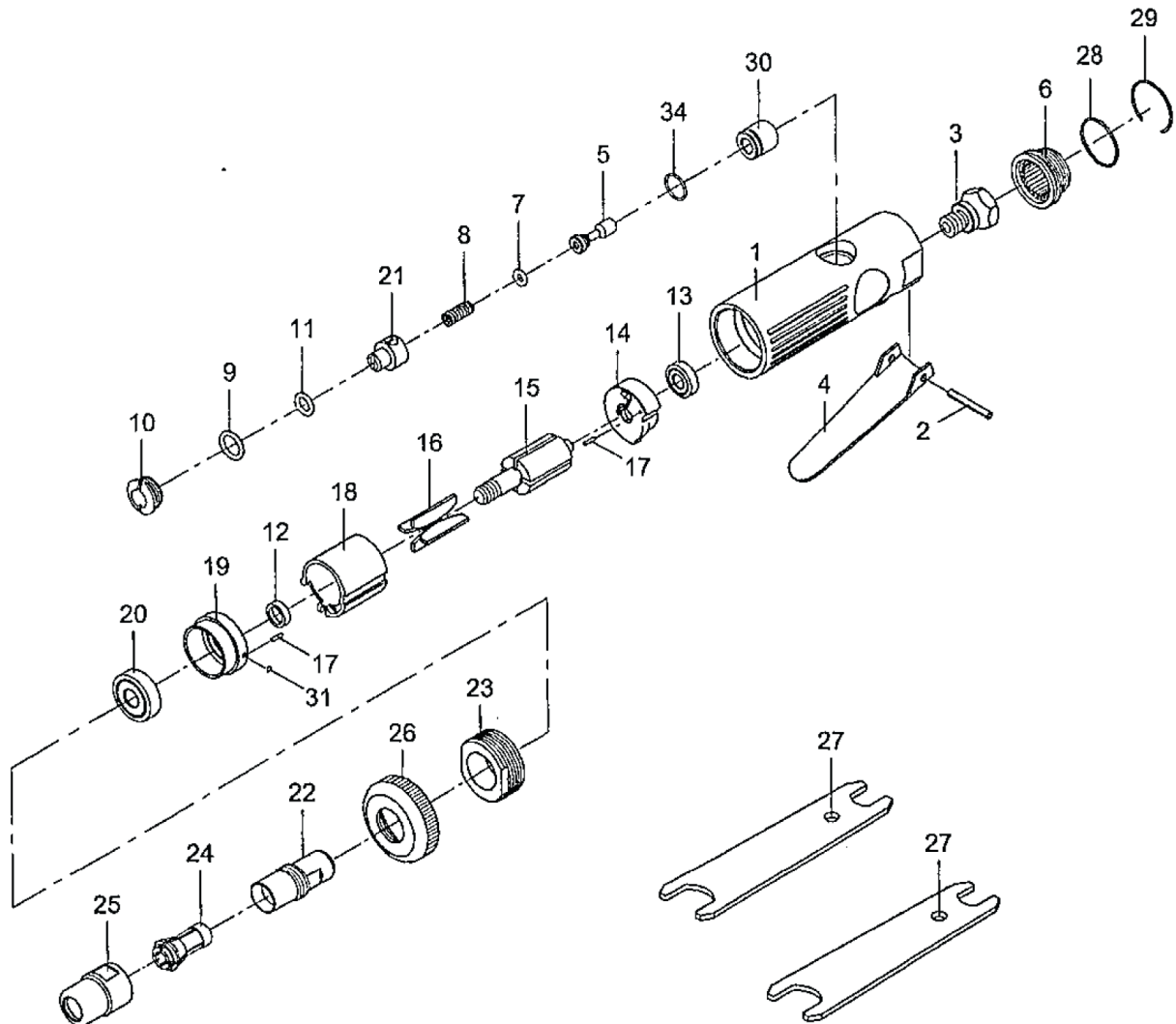
Suite 1/2, 12-18
Victoria Street East
Lidcombe NSW 2141
Phone: +61 3 9753 3800 Phone: +61 2 9646 4222
50 Jellico Drive Scoresby VIC 3179
Fax: +61 3 9753 3933 Fax: +61 2 9646 5399

RMAX-DGN

1/4" Die Grinder (0.3HP)



THE BLACK RATTLER
NEXT GENERATION AIR TOOLS



Index No.	Parts No.	Description	Index No.	Parts No.	Description
1	52201	Motor Housing	17	30117	Spring Pin(2) (1.5x6L)
2	30102	Spring Pin (3x24L)	18	52218	Cylinder
3	52203	Air Inlet	19	52219	Front End Plate
4	51204	Throttle Lever	20	030120	Ball Bearing (608zz)
5	52205	Valve Stem	21	52221	Controller
6	52206	Exhaust Diffuser	22	53222	Spindle
7	30107	O-Ring (3.8x1.9)	23	55223	Retainer
8	52208	Valve Spring	24	51224	Collet
9	70109	O-Ring (9.8x1.9)	25	52225	Collet Nut
10	52210	Valve Screw	26	53226	Housing Cap
11	40305	O-Ring (6.5x2)	27	52227	Spanner(2) (11-17)
12	52212	Rotor Spacer	28	52235	O-Ring (22.8x2)
13	052213	Ball Bearing (696zz)	29	52229	Retainer Ring
14	52214	End Plate	30	52234	Bushing
15	52215	Rotor	31	52245	Steel Ball (3/32")
16	52216	Rotor Blades (4)	34	52236	O-Ring (10.5x1)