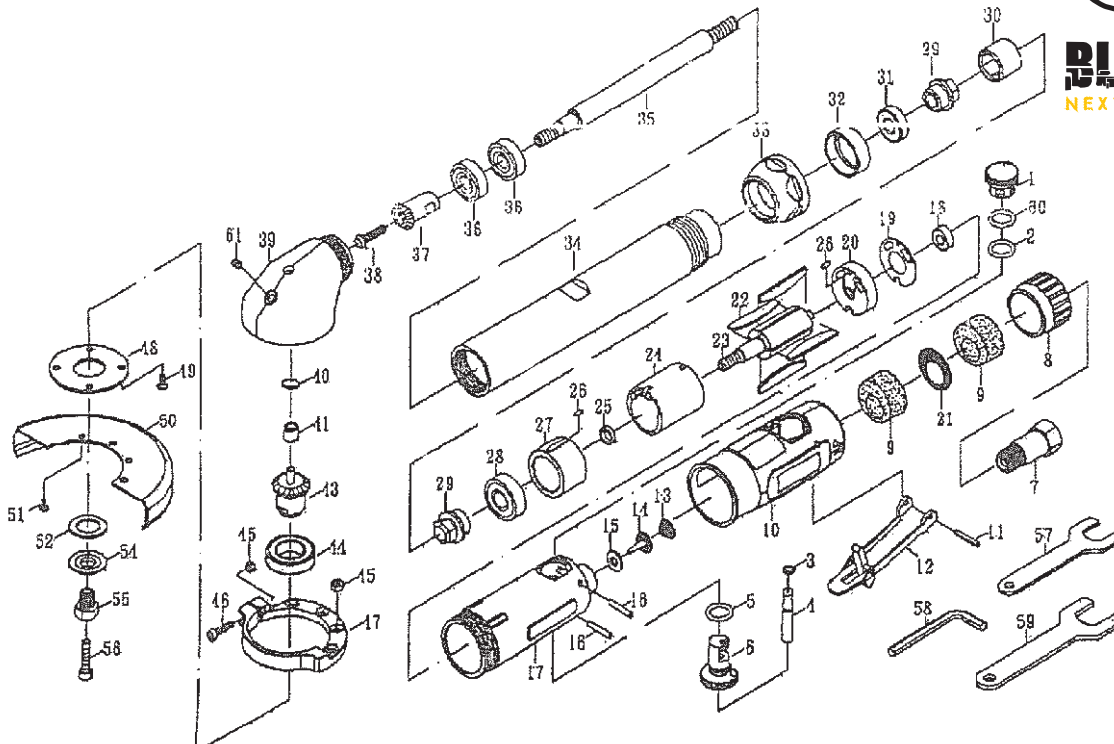


RMAX-C04EA

4" Extended Cut Off Tool



index	Parts No.	Description
1	384E-01	Regulator
2	384E-02	"O" Ring
3	384E-03	"O" Ring
4	384E-04	Valve Stem
5	384E-05	"O" Ring
6	384E-06	Regulator
7	384E-07	Air Inlet
8	384E-08	Exhaust Sleeve
9	384E-09	Silencer (2)
10	384E-10	Protecting Rubber
11	384E-11	Pin
12	384E-12	Lever
13	384E-13	Spring
14	384E-14	Valve
15	384E-15	Washer
16	384E-16	Pin (2)
17	384E-17	Housing
18	384E-18	Bearing
19	384E-19	Washer
20	384E-20	Rear Plate
21	384E-21	Muffler
22	384E-22	Rotor Blade (4)
23	384E-23	Rotor
24	384E-24	Cylinder
25	384E-25	Bearing Spacer
26	384E-26	Pin (2)
27	384E-27	Front plate
28	384E-28	Bearing
29	384E-29	Coupling Nut (2)
30	384E-30	Coupling

index	Parts No.	Description
31	384E-31	Bearing
32	384E-32	Nut
33	384E-33	Clamp Nut
34	384E-34	Spindle Housing
35	384E-35	Spindle
36	384E-36	Bearing (2)
37	384E-37	Pinion Gear
38	384E-38	Screw
39	384E-39	Angle Housing
40	384E-40	Washer
41	384E-41	Bearing
43	384E-43	Pinion Gear
44	384E-44	Bearing
45	384E-45	Nut (5)
46	384E-46	Screw
47	384E-47	Handle Link
48	384E-48	Face Plate
49	384E-49	Screw (4)
50	384E-50	Disc cover
51	384E-51	Screw (4)
52	384E-52	Nut
54	384E-54	Washer
55	384E-55	Nut
56	384E-56	Screw
57	384E-57	Stop Spanner
58	384E-58	Hex.
59	384E-59	Stop Spanner
60	384E-60	"O" Ring
61	384E-61	Oil cup