

SILVERTRONIC LTD

Title: Multi Pin Custom Kit (F15)

Rev
4
3
2
1
-

Details

Date

Drawn

Part No:
905231B

CAGECODE U9346

This drawing is not to be disclosed to a third party without the written authority from the company ©

Production issue


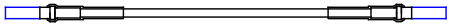
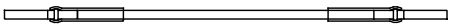
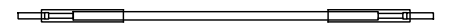
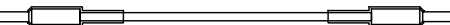
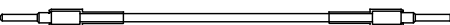
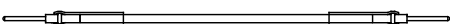
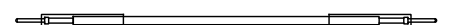
03/11/15 CS

Pre-Production issue


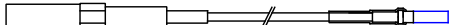
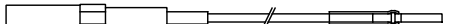


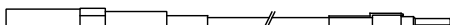


03/11/15 CS

6625-01-539-4613

8x 150mm AERO LEADS

-  127068 - Aero Lead 12 Female/Female Yellow
-  127069 - Aero Lead 16 Female/Female Blue
-  127070 - Aero Lead 20 Female/Female Red
-  127071 - Aero Lead 22 Female/Female Green
-  127072 - Aero Lead 12 Male/Male Yellow
-  127073 - Aero Lead 16 Male/Male Blue
-  127074 - Aero Lead 20 Male/Male Red
-  127075 - Aero Lead 22 Male/Male Green

8x 300mm AERO LEADS

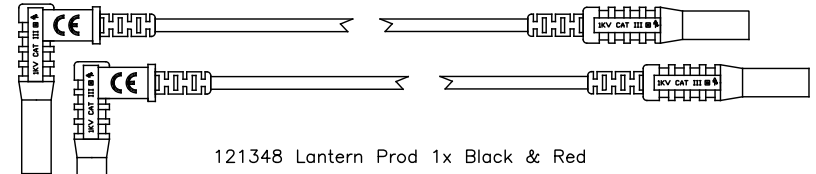
-  127076 - Aero Lead 12 Socket/Female Yellow
-  127077 - Aero Lead 16 Socket/Female Blue
-  127078 - Aero Lead 20 Socket/Female Red
-  127079 - Aero Lead 22 Socket/Female Green
-  127080 - Aero Lead 12 Socket/Male Yellow
-  127081 - Aero Lead 16 Socket/Male Blue
-  127082 - Aero Lead 20 Socket/Male Red
-  127083 - Aero Lead 22 Socket/Male Green

124044 4mm Adaptors 1x Black & Red

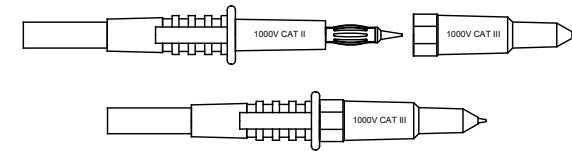


**P/N TO APPEAR ON EACH COMPONENT.
INSERT CARDS TO BE FITTED INTO STORAGE POCKETS
PICTURING EACH PRODUCT FOR TOOL CONTROL**

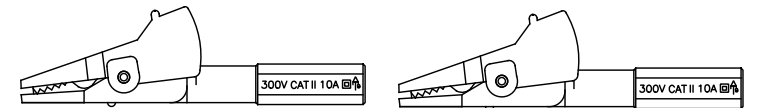
123680/DF-DR/1.2M Lead Ass
1x Black & Red



121348 Lantern Prod 1x Black & Red



126017 Small Fully Insulated Croc Clip 1x Black & Red



119519 4 Pocket Tool Roll



Assembly Jig Numbers

#####=J###
#####=J###

#####=J###
#####=J###

Packaging:

Kit packed In 111512 polybag with part no label
Pocket Labels 117359, 117361, 117357 & 117355

Do Not Scale All Dimensions In
MM