

OIL FILTER DRAIN TOOL FOR TOYOTA



endeavour

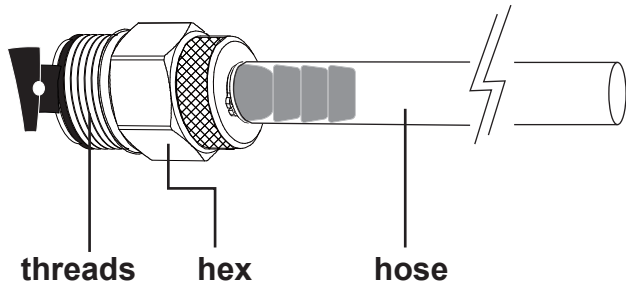


1. SPECIFICATIONS

2. INSTRUCTIONS

3. APPLICATIONS

1. SPECIFICATIONS



Thread size	M20 × P1.50
Hex material	S45C
Hex surface	Zinc plating
Hose material	Polyvinyl chloride
Hose length	900 mm / 35.4"

2. INSTRUCTIONS



CAUTION



- Always read the instructions carefully before using the tool
- Ensure the working area has adequate lighting
- Keep children and unauthorized persons away from the working area
- Keep working area clean and tidy, dry and free from unrelated materials
- DO NOT allow untrained persons to use this tool kit
- Always wear eye protection that meets OSHA and ANSI Z87.1 standards
- Always wear gloves when working with the tool
- Always wear ear protection
- Disposal: Customers should follow local regulations to handle used/wasted parts

- 1 Prepare a container or oil drainer, and guide the hose part of the tool to the container.
- 2 Use a ratchet wrench to remove the fixing nut on the cartridge oil filter housing (Fig. 1).
- 3 Connect the drain tool to the internal threads on the housing (Fig. 2).
- 4 When the tool is connected, the one-way valve inside the oil filter housing will be pushed backward, permitting old oil to be drained (Fig. 3).

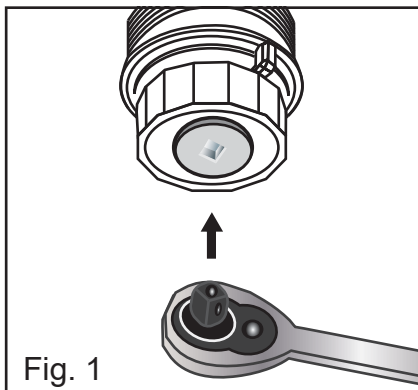


Fig. 1

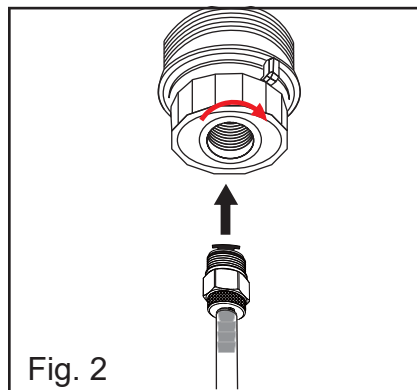


Fig. 2

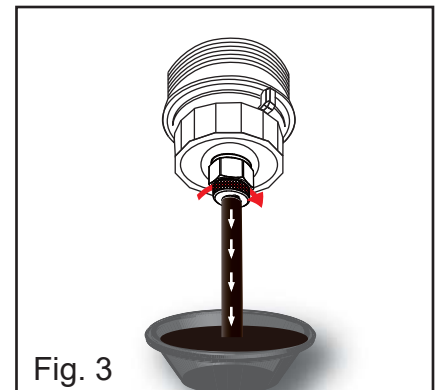


Fig. 3

3. APPLICATIONS

Make	Model	Year
Lexus	CT200h	2011-2016
Lexus	ES300h	2013-2016
Lexus	ES350	2007-2016
Lexus	RX330	2006-2006
Lexus	RX350	2007-2015
Lexus	RX450h	2010-2015
Scion	iM	2016-2016
Scion	xD	2008-2014
Toyota	4Runner	2014-2017
Toyota	Avalon	2005-2016
Toyota	Camry	2007-2017

Make	Model	Year
Toyota	Corolla	2009-2016
Toyota	FJ Cruiser	2010-2014
Toyota	Highlander	2008-2016
Toyota	Matrix	2009-2014
Toyota	Prius	2010-2016
Toyota	Prius V	2012-2016
Toyota	RAV4	2006-2012
Toyota	Sequoia	2008-2015
Toyota	Sienna	2007-2015
Toyota	Tundra	2014-2014
Toyota	Venza	2009-2016