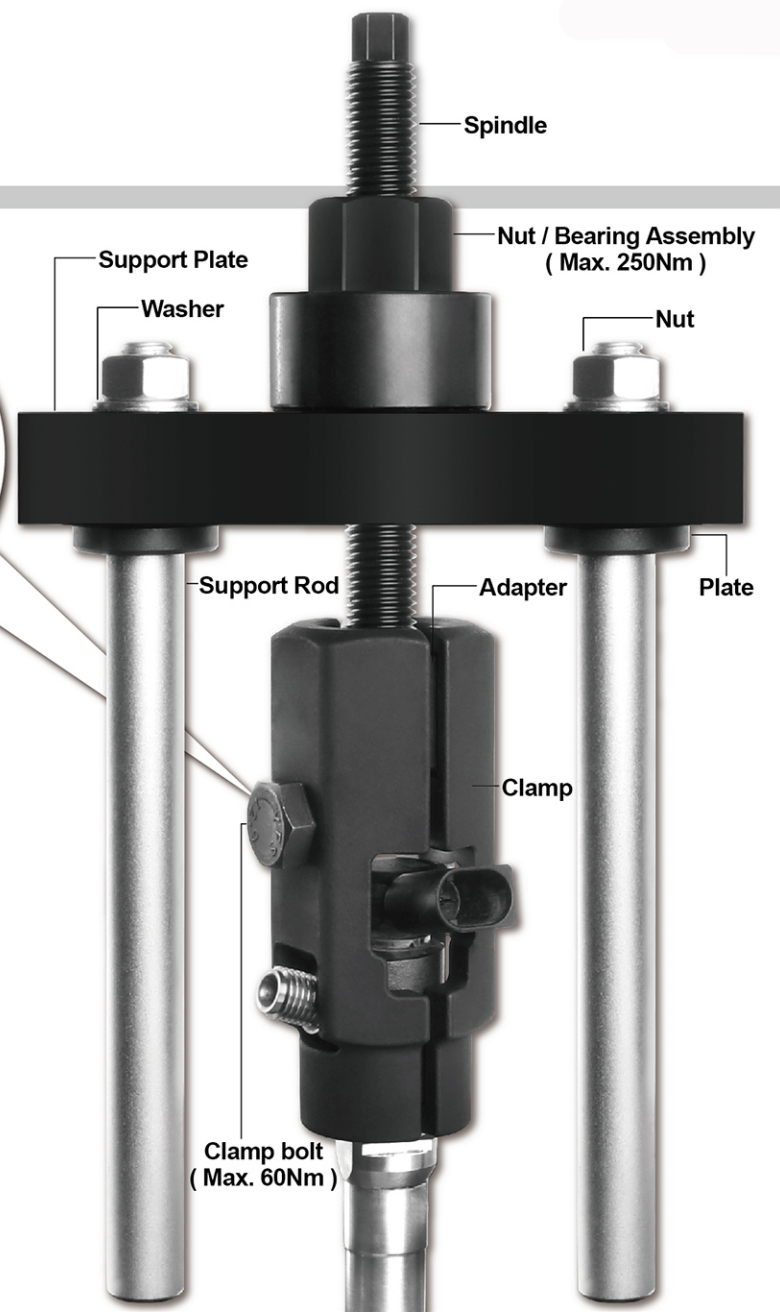


ET8288

Diesel Injector Puller (Ford EcoBlue 2.0L)

To pull the **Ford EcoBlue 2.0L** diesel injectors **in one piece**, allowing them to be **refitted**.

27 mm 19 mm 11 mm



OEM Ref. 303-1706

Ford EcoBlue 2.0L TDCi diesel engine

Transit (2013 ~, 2018 ~)	Focus (2018 ~)	Mondeo (2014 ~)
Transit Custom (2012 ~)	Galaxy (2015 ~)	Ranger (2011 ~)
Edge (2015 ~)	Kuga (2019 ~)	S-MAX (2015 ~)

If the injectors are **badly seized**, please see **FT-19B05Z1**.