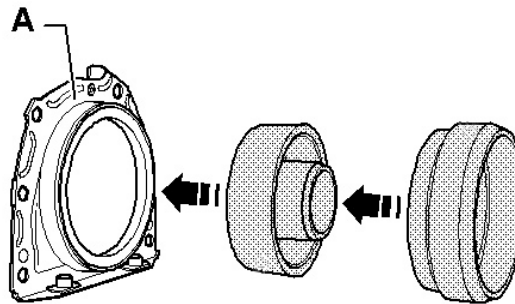
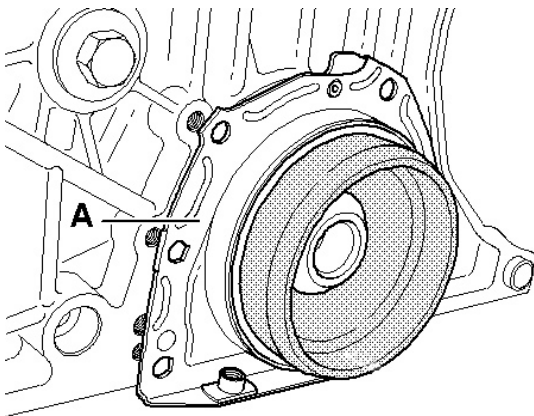




endeavour

ET1951A

VAG PTFE CRANKSHAFT REAR SEAL INSTALLER



- Used when assembling PTFE crankshaft seal, flywheel end.
- Used for proper installation of rear main seal
- For vehicles with TSI engines only.
- **VW OEM Equiv:**
 - T10122/1 = guide piece
 - T10122/2 = guide piece
 - T10122/3 = thrust piece
 - T10122/4 = thrust piece
 - T10122/5 = thrust piece
 - T10122/6a = crank shaft seal installer - guide piece

Make	Model	Submodel	Engine
Audi	8V S3	Quattro	2.0T
Audi	A3 8P	FWD	2.0T
Audi	A3 8P	Quattro	2.0T
Audi	A3 8V	FWD	1.8T
Audi	A3 8V	FWD	2.0T
Audi	A3 8V	Quattro	2.0T
Audi	B8 A4	FWD	2.0T
Audi	B8 A4	Quattro	2.0T
Audi	B8 A5	Quattro	2.0T
Audi	B8 Allroad	Quattro	2.0T
Audi	B9 A4	FWD	2.0T
Audi	B9 A4	Quattro	2.0T
Audi	C7 A6	FWD	2.0T
Audi	C7 A6	Quattro	2.0T
Audi	MK3 TT (2014+)	Quattro	2.0T
Audi	Q3	FWD	2.0T
Audi	Q3	Quattro	2.0T
Audi	Q5	Quattro	2.0T
Volkswagen	All	All	1.8T Gen3
Volkswagen	All	All	2.0T Gen3
Volkswagen	All	All	2.0T Gen3 GLI
Volkswagen	Beetle	All	2.0T
Volkswagen	CC	FWD	2.0T
Volkswagen	EOS	All	2.0T
Volkswagen	Golf V	All	2.0T
Volkswagen	Golf VI	All	2.0T
Volkswagen	Jetta V	All	2.0T
Volkswagen	Jetta VI	Sportwagen	2.0T
Volkswagen	Jetta VI	Sedan	GLI
Volkswagen	Passat B6	FWD	2.0T
Volkswagen	Tiguan 1	4 Motion	2.0T
Volkswagen	Tiguan 1	FWD	2.0T
Volkswagen	Tiguan 2	4 Motion	2.0T
Volkswagen	Tiguan 2	FWD	2.0T