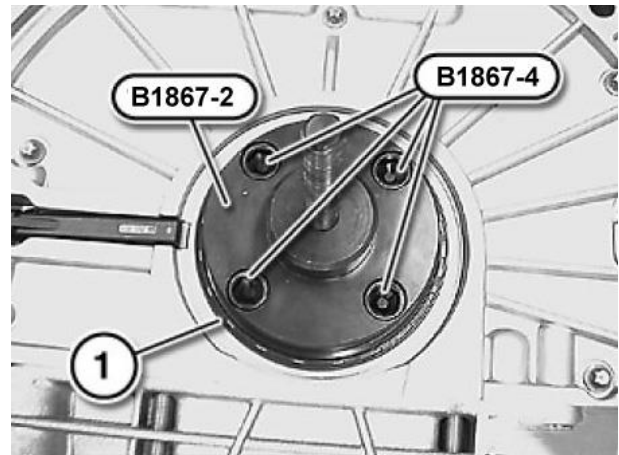
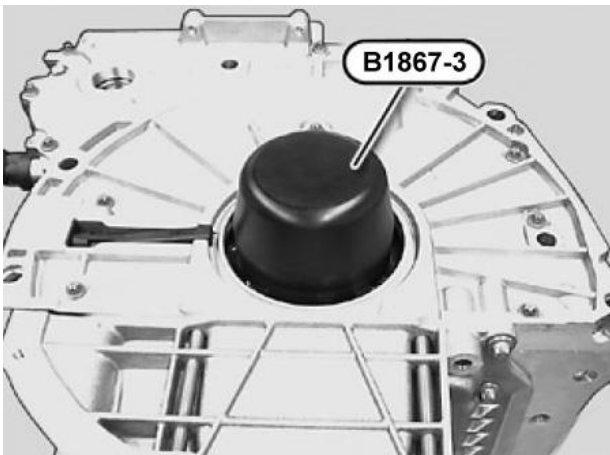


ET1867B

BMW (B37 / B47 / B57 / N47 / N57) CRANKSHAFT REAR OIL SEAL INSTALLATION KIT



- For replacing the crankshaft rear seal.

- Application: **BMW**

1er (E81, E82, E87, E88, F20, F21) 114d, 116d, 118d, 120d, 123d, 125d

3er (E90, E91, E92, E93, F30, F31) 316d, 318d, 320d, 325d, 330d, 335d

5er, 6er (E60, E61, F11, F12, F13) 520d, 525d, 530d, 535d, 550d, 640d

7er (F01, F02, F03, F04, G11, G12) 730d, 740d, 750d

X1, X3, X5, X6 (E70, E71, E83, E84, F25) 16d, 18d, 20d, 25d, 30d, 35d,

40d, 50d

Mini One, Cooper D/SD

Paceman (R57, R55, R57, R58, R57, R60, R61)

- **BMW OEM Equiv:** 118 810 / 811 / 812 / 813 / 815