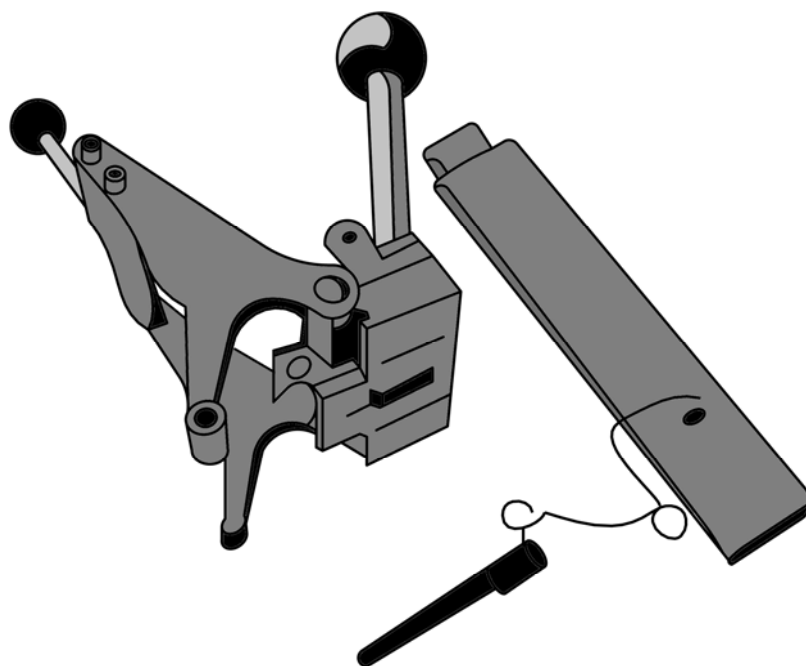




ET1846A

BMW (S63TU) VALVE PRESSURE SPRING REMOVER / INSTALLER



- This tool is used to compress the valve spring for quick and safe removal / installation of the valve spring.
- Application: BMW S63TU engine
- **BMW OEM Equiv:** 2 249 160