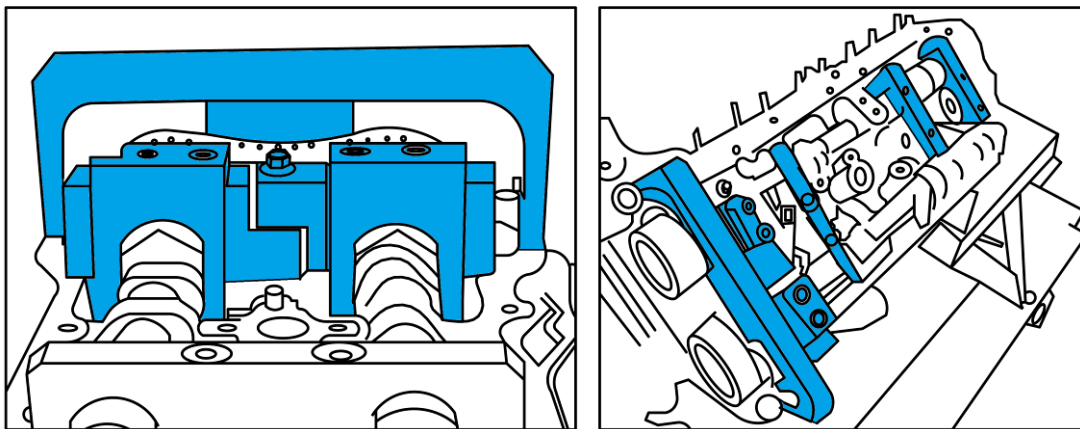


# ET1777A

## BENZ (M177/M178) CAMSHAFT TIMING TOOL KIT



- Used for aligning the camshaft to TDC.
- **Applications:** Mercedes AMG C63, C63S with biturbo 4.0L, petrol V8 engine, engine code: M177, M178 (After 2015)
- **OEM Equiv:** 177589014000 | 177589001500