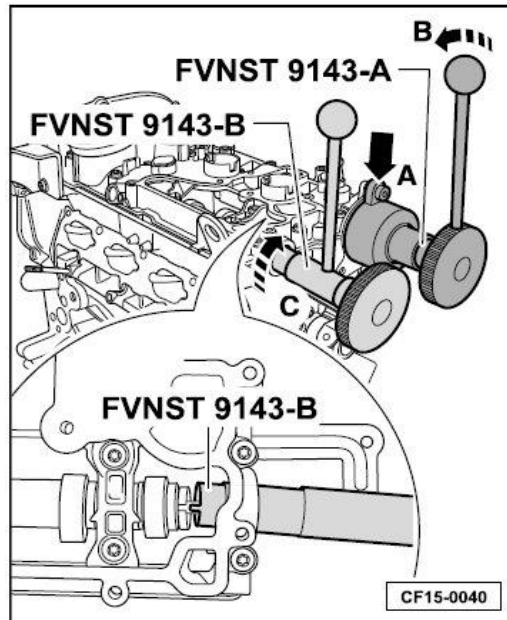


# ET1662A

## VAG (1.8L | 2.0L TSI) CAMSHAFT ROTATING ALIGNMENT TOOL



- Specially designed to rotate the camshaft in TDC position.
- Application: VAG 1.8L | 2.0L TSI engines.
- **VW OEM Equiv:** FVNST9143-A | FVNST9143-B