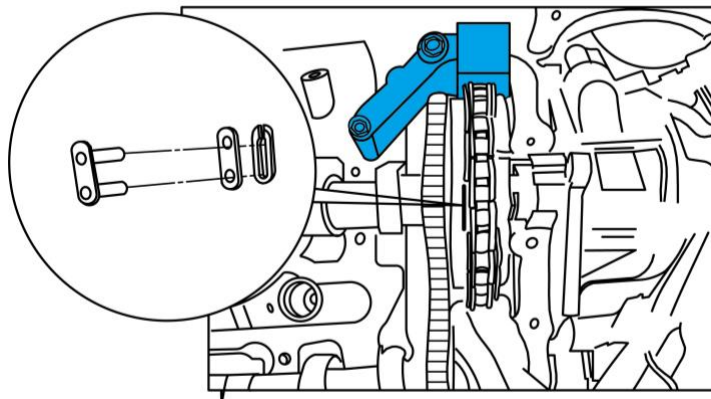


ET1613B

MERCEDES (OM 642) TIMING CHAIN RETAINING TOOL



- For keeping timing chain and camshaft sprocket engaged.

- Applications:

C-Class W203 / S203 Year 2000-2007, W204 / S204 Year 2007 -

CLK C209 / A209 Year 2002-2010

CLS C218 / C219 Year 2004 -

E-Class W211 / S211 Year 2002-2009, W212 / S212 Year 2009 -, C207 / A207 Year 2009 -

S-Class W221 / W222 Year 2005 -

M-Class W164 / W166 Year 2005 -

R-Class W251 / V251 Year 2006 -

G-Class W461 / W463 Year 1990 -

GL-Class X164 / X166 Year 2006 -

Viano W639 Year 2003 -

Sprinter 906 Year 2006 -

M642 in TYP 207, 212, 218 with CODE 927

It requires ET1613A + ET1613B

For engine 642 in TYPE 204, 207, 212, 218 except CODE 927

It requires ET1613A + ET1613B + ET1613C

- **OEM Equiv:** 642 589 01 40 00

