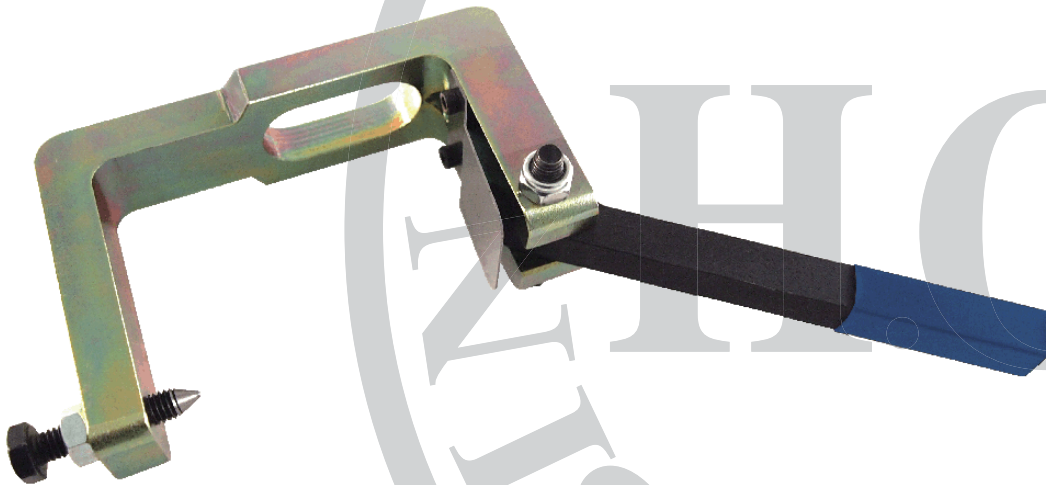


H.C.B-A1553

BMW (N20/N26/N55)FIXING TOOL



- Application: BMW N20/N26/N55
- BMW OEM no. 114 450



IMPORTANT:READ THESE INSTRUCTIONS CAREFULLY.

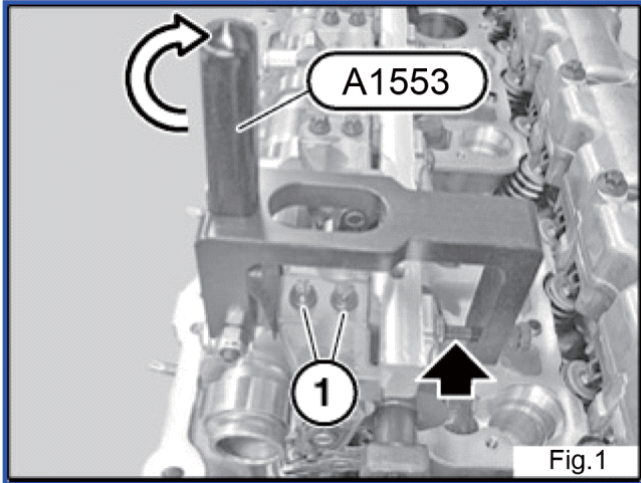
※Warning! Ensure Health and Safety, local authority and general work shop practice regulations are adhered to when using tools.

※DO NOT use tool if damaged.

※Maintain tool in good and clean condition for best and safest performance.

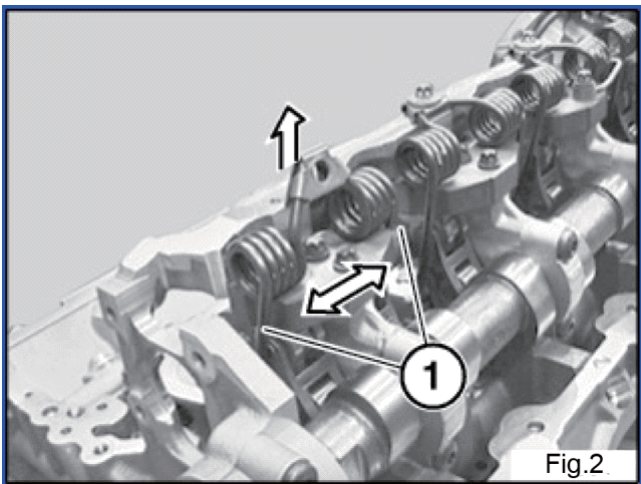
※WARNING! The warnings, caution and instructions referred to in this manual cannot cover all possible conditions and situations that may occur. It must be understand that common sense and caution are factors which cannot be built into this product ,but must be applied by the operator.

Operating Instructions

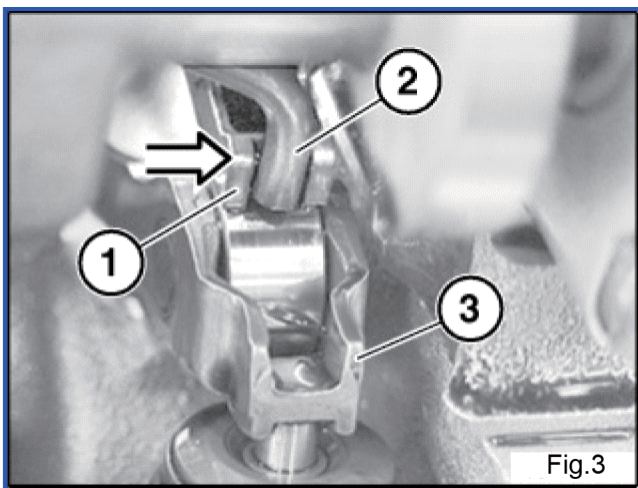


- Secure special tool A1553 on screw connection of eccentric shaft and set adjusting screw on special tool A1553, if necessary.
- Turn eccentric lever on special tool A1553 in direction of arrow.
- Gate is now preloaded.
- Fasten screws (1) of gates.
- Tightening torque 11 37 1AZ.

- Installation note:
 - √ At cylinder no. 3, the gate can be pre-installed with one screw (internal) only.
 - √ Oil spray nozzle is fitted only after return spring has been installed.



- Press return spring (1) apart.
- Install return spring (1).



- Install return spring (2) on gate.
- Installation note:
 - √ Insert return spring (2) in intermediate lever (1) (See arrow).
 - √ Check that rocker arm (3) is in correct installation position.