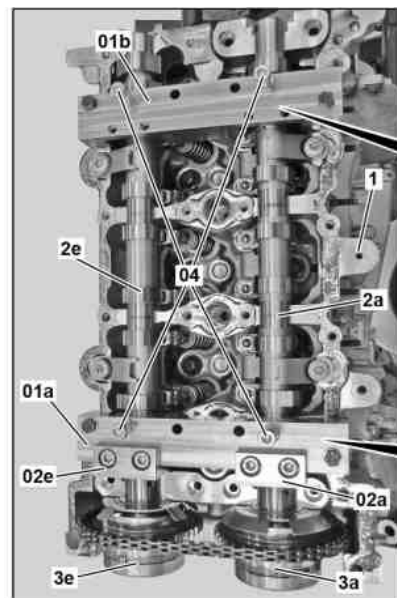
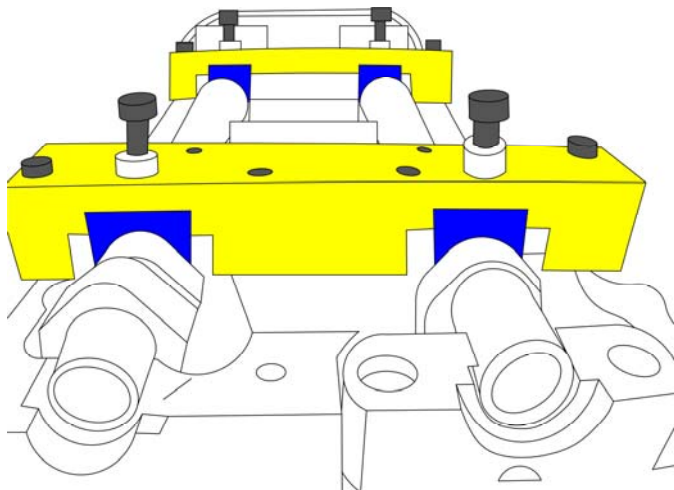
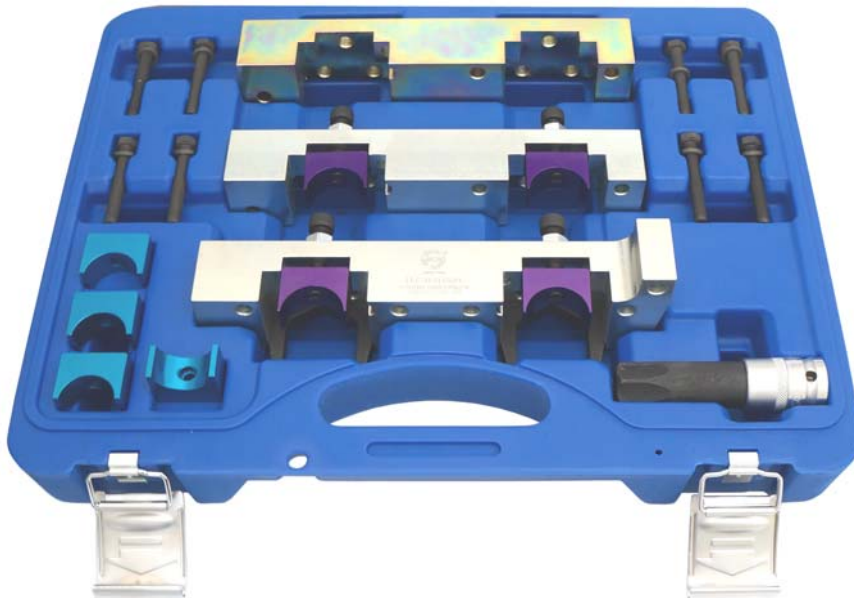


ET1524C

BENZ (M133 / M270 / M274) TIMING TOOL KIT



- Special designed to position the camshafts in TDC position.
- This holding device can hold and fix the camshafts.
- This can slacken and tighten the bolts attaching to the camshaft gears.
- **OEM Equiv: 270 589 01 61 00 / 270 589 00 61 00**