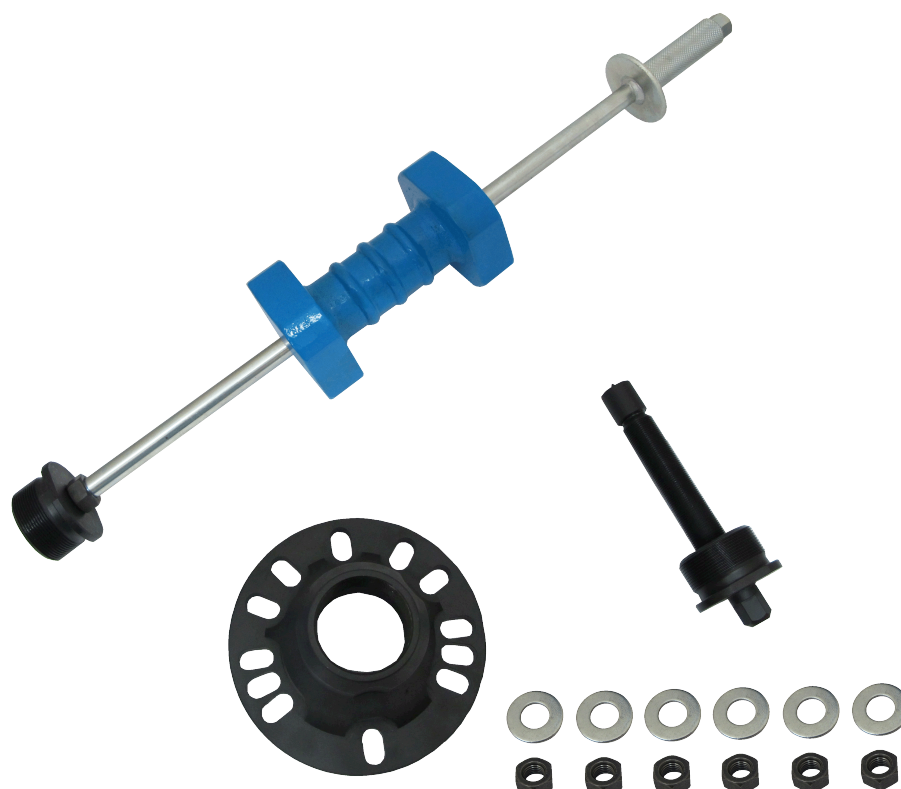




endeavour

# ET1503B

UNIVERSAL AXLE EXTRACTOR (SLIDE HAMMER) **PAT.M253503**



**IMPORTANT: READ THESE INSTRUCTIONS CAREFULLY.**

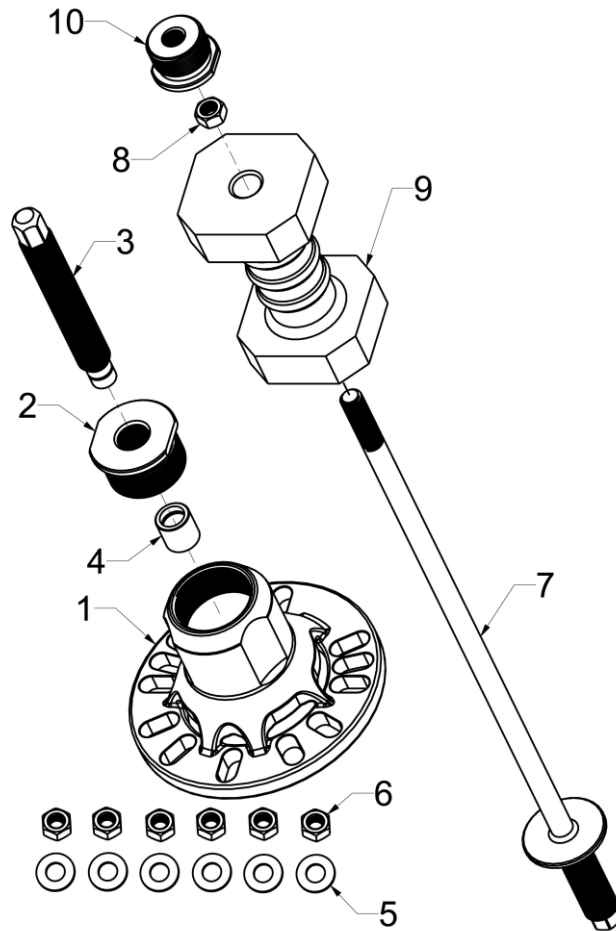
※ Warning! Ensure Health and Safety, local authority and general work shop practice regulations are adhered to when using tools.

※ DO NOT use tool if damaged.

※ Maintain tool in good and clean condition for best and safest performance.

※ WARNING! The warnings, caution and instructions referred to in this manual cannot cover all possible conditions and situations that may occur. It must be understood that common sense and caution are factors which cannot be built into this product, but must be applied by the operator.

## Operating Instructions



No.	Description	Specification	Q'TY	Remark
1	Multi-hole Plate	D: Ø 185x111L	1	d: Ø 57x14UNC
2	Nut	D: Ø 57x14UNCx36L	1	d:M24xP1.5
3	Bolt	M24xP1.5x185L	1	H19
4	Mandrel	Ø 25x30L	1	ř
5	Washer	M12x t2	6	ř
6	Nut	d:M12xP1.5	6	H19
7	Hand bar	Ø 61x660L	1	D:5/8"x10UNC
8	Nut	d:5/8"x10UNC	1	H24
9	Slide hammer	Ø 90x168L	1	ř
10	Nut	D:Ø57x14UNCx36L	1	d:5/8"x10UNC

- This kit quickly pushes the axle out of the hub, and removes the hub.
- P.C.D: 130~160 mm