

ET1467A

MITSUBISHI (VIRAGE / LANCER) REAR TRAILING ARM BUSH REMOVER / INSTALLER



MITSUBISHI LANCER 1.6



MITSUBISHI VIRAGE 1.8

- On car maintenance.
- Best tool for replacement of bushes on MITSUBISHI VIRAGE 1.8 and MITSUBISHI LANCER 1.6.
- No damage to ABS sensor cable, trailing arm and parts close to bush during maintenance.
- Fast and easy to use. Save time, within two minutes for removal.
- The window indicator is for reference during removal and installation.
- Application : MITSUBISHI LANCER 1.6(1993 year-2000year), MITSUBISHI VIRAGE 1.8 (2000year~)



LANCER1.6

Bush number:MR519127



VIRAGE1.8

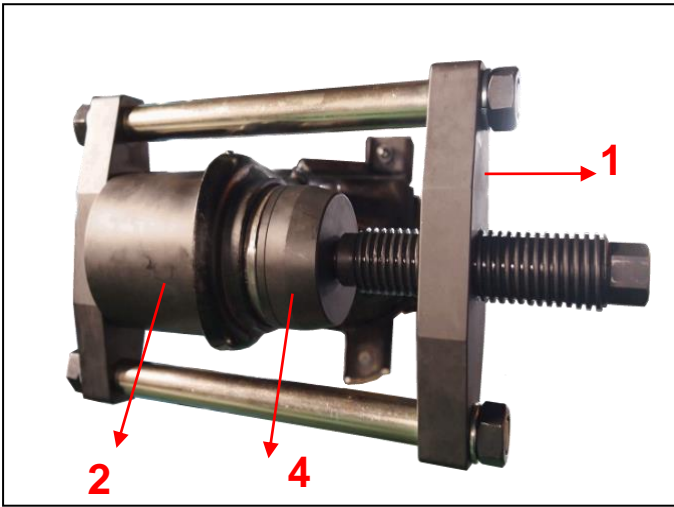
Bush number:MR102063

GENERAL INTRODUCTION FOR BUSH

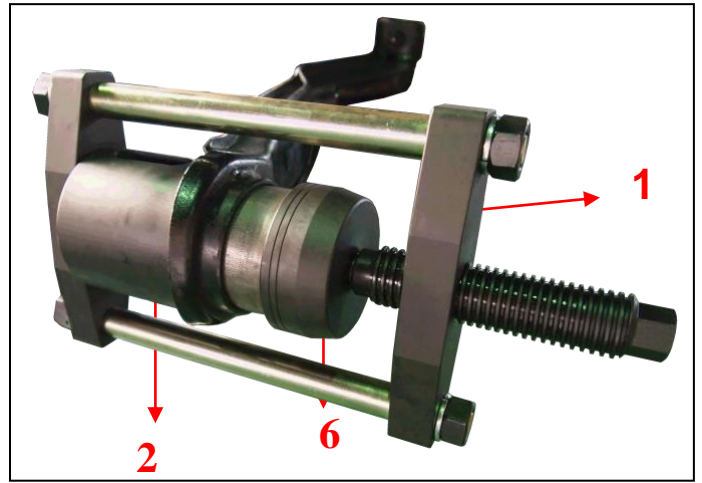
- A FLEXIBLE BUSH HAS AN ELECTROMETRIC ELEMENT ENCLOSED BETWEEN AN OUTER SLEEVE AND A CENTRE AXLS TO ENSURE BETTER ROAD GRIP AND STABILITY.
- MAKES DRIVING MORE COMFORTABLE.

Use on MISUBISHI VIRAGE 1.8

Removal

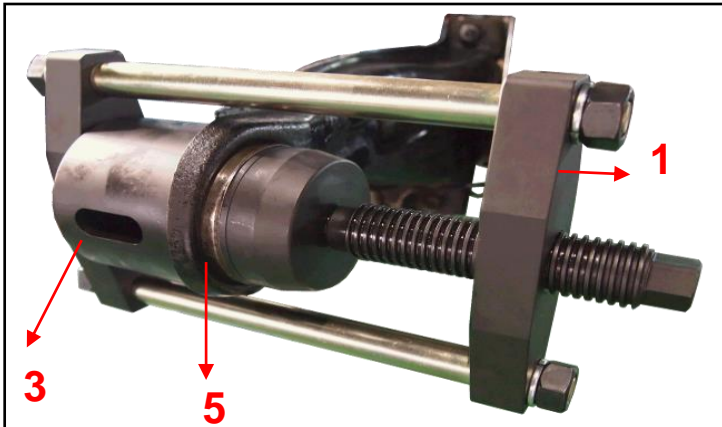


Installation



Use on MISUBISHI LANCER 1.6

Removal



Installation

