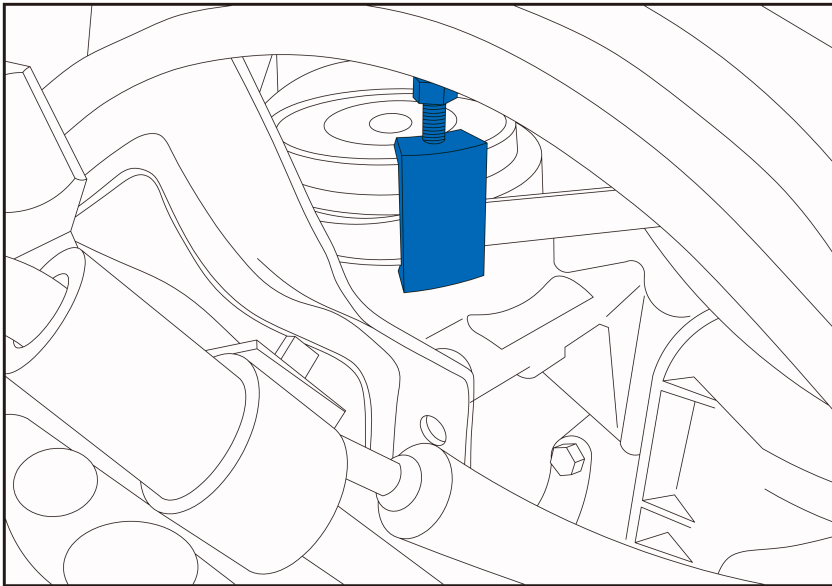
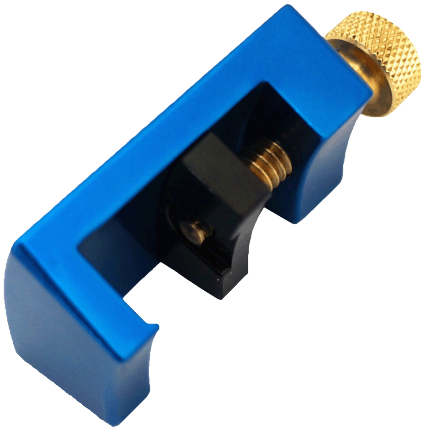


ET1301B

BMW (N62/W17) AIR CONDITIONING COMPRESSION BELT INSTALLER



Used for installing the drive belt that is a stretch belt and no belt tensioner is used.
Application: BMW (N62/W17) [2004–2006] [V8] engine.
545 2004 - 2005 745i 2004 - 2005
745Li 2004 - 2005 X5 2004 - 2006
BMW OEM Equiv: 641040