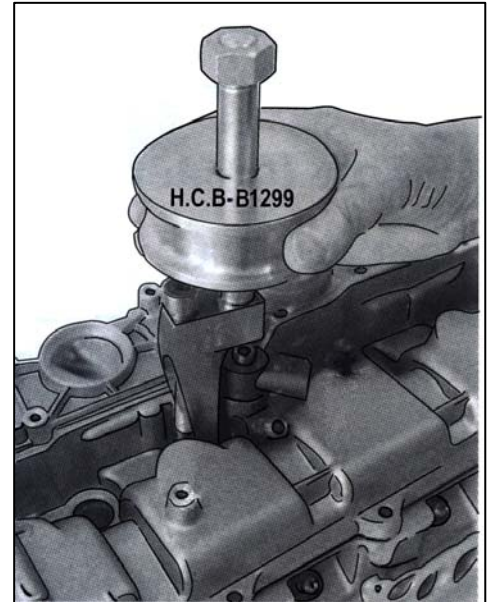
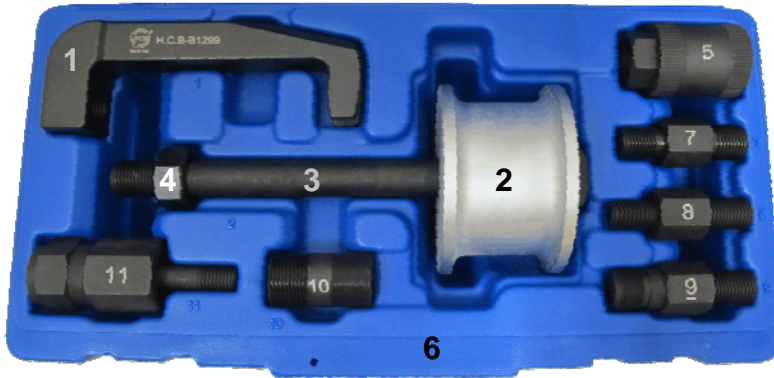




ET1299B

MERCEDES CDI CR INJECTOR PULLER KIT (SLIDE HAMMER STYLE)



- For removing stubborn injectors on Mercedes CDI engines and adapted tight common rail injectors without having to disassemble cylinder head.
- The puller is additionally supported by the steel ball on the valve cover, which prevents the puller from tipping during the removal process.
- Applicable: Mercedes CDI engines 611,612,613,646,647,648 etc diesel engines

Components:

ITEM NO.	DESCRIPTION	Specification
1	Puller	M16 x P1.5
2	Hammer	ϕ 79 x 50L
3	Slide hammer bolt	M16 x P1.5 x 198L
4	Nut	M16 x P1.5 x 12.5L
5	Extraction nut	M27 x P1.0 (BOSCH)
6	Blow mold case	
7	Connector	M16 x P1.5, M14 XP1.5
8	Extraction adaptor	H19 M12 x P1.75
9	Extraction adaptor	H19 M17 x P1.0
10	Extraction adaptor	M22 x P1.5, M22 x P1.0
11	Universal adaptor	M14 x P1.5, M10 x P1.5