

ET1281

**OIL FUNNEL FOR TOYOTA & LEXUS
ADAPTER FITS BMW, MERCEDES & VAG**



1. FEATURES

2. SPECIFICATIONS

3. INSTRUCTIONS

4. APPLICATIONS

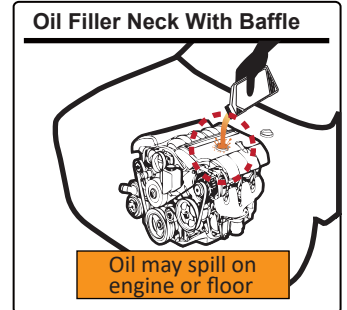
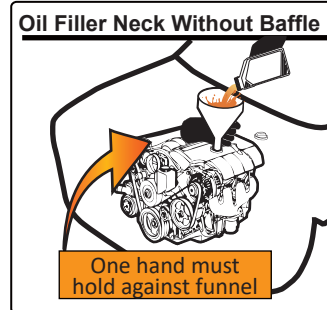
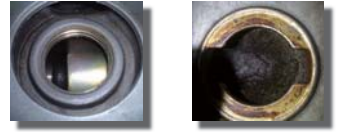


endeavour

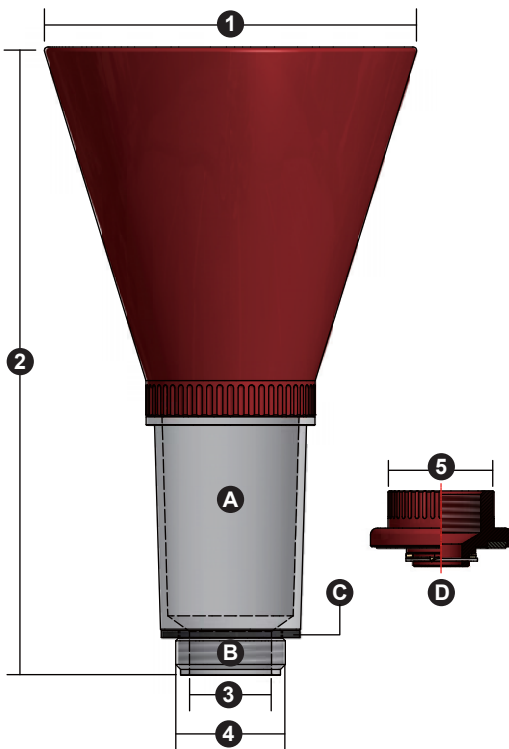
1. FEATURES

- Funnel can be directly connected to oil filler necks, eliminating unsafe oil spills
- Engine oil bottles can be put up side down on funnel – hands-free and one-person operation
- Large oil passage allows oil to flow down more rapidly
- Lower transparent chamber shows oil flows down to engine

Different engines have different configurations below oil filler neck. Some engines might have parts that create a baffle (as the images shown on the right), and this can make conventional funnels hard to stabilize on oil filler neck, or one hand is needed to hold against the funnel when refilling engine oil. However, this funnel is to solve these problems. A seamless connection can be created to prevent unsafe oil spills on engine or floor.



2. SPECIFICATIONS



No	Description	Specifications
1	Funnel opening	Ø125mm / Ø4.9"
2	Overall height	211mm / 8.3"
3	Oil passage	Ø27.5mm / Ø1.1"
4	Funnel threads	M37 × P3.0
5	Adapter threads	M37 × P3.0

A	Transparent chamber shows oil flow
B	Large oil passage allows oil flow fast
C	Durable NBR seal
D	Clip type adapter fits BMW, Mercedes, VAG

3. INSTRUCTIONS



CAUTION



- Always read the instructions carefully before using the tool
- Ensure the working area has adequate lighting
- Keep children and unauthorized persons away from the working area
- Keep working area clean and tidy, dry and free from unrelated materials
- DO NOT allow untrained persons to use this tool kit
- Always wear eye protection that meets OSHA and ANSI Z87.1 standards
- Always wear gloves when working with the tool
- Always wear ear protection
- Disposal: Customers should follow local regulations to handle used/wasted parts

- 1 Remove original oil cap on engine.
- 2 Connect oil funnel or funnel with adapter to oil filler neck.
- 3 Make sure the funnel is securely connected on the engine (as the image on right).
- 4 Pour engine oil.
- 5 Disconnect oil funnel from oil filler neck.
- 6 Clean the residual oil inside the funnel and store the funnel in a dry and well-ventilated place.



4. APPLICATIONS

The application below is for reference only. More vehicle applications are possible. Some car models may have multiple suitable adapters due to variations in body style, engine size/capacity, and engine numbers.

FUNNEL WITH M37 × P3.0 THREADS

Make	Model	Year	Type
Toyota	4Runner	2004-2019	4.0L - Gas
Toyota	4Runner	2009-2010	2.7L, 4.7L - Gas
Toyota	Auris	2006-2012	1.4
Toyota	Auris	2006-2012	2.0 D-4D
Toyota	Auris	2006-2012	2.2 D
Toyota	Auris	2012-2018	1.4 D-4D
Toyota	Avalon	2005-2020	3.5L - Gas
Toyota	Avalon	2013-2018	2.5L - Gas
Toyota	Avensis	2003-2008	1.6, 1.8, 2.0 - Gas; 2.0D, 2.2D
Toyota	Avensis	2008-2018	2.2 D-4D
Toyota	Camry	2002-2010	2.4L - Gas
Toyota	Camry	2007-2017	3.5L - Gas
Toyota	Camry	2010-2020	2.5L - Gas
Toyota	Celica	1999-2005	1.8 16V - Gas
Toyota	C-HR	2018-2020	2.0L - Gas
Toyota	Corolla	2000-2008	1.6, 1.8, 2.0 - Gas; 1.4D, 2.0D
Toyota	Corolla	2003-2020	1.8L - Gas
Toyota	Corolla	2009-2011	2.4L - Gas
Toyota	Corolla iM	2017-2018	1.8L - Gas
Toyota	Echo	2000-2005	1.5L - Gas
Toyota	FJ Cruiser	2007-2014	4.0L - Gas
Toyota	Hiace	1995-2020	2.7 - Gas; 2.5 D-4D
Toyota	Highlander	2001-2006	2.4L - Gas
Toyota	Highlander	2009-2020	2.7L - Gas
Toyota	Highlander	2011-2020	3.5L - Gas
Toyota	IQ	2009-2015	1.4 D-4D
Toyota	Land Cruiser	2008-2020	5.7L - Gas
Toyota	Matrix	2003-2014	1.8L - Gas

Make	Model	Year	Type
Toyota	Matrix	2009-2013	2.4L - Gas
Toyota	MR2 Spyder	2002-2005	1.8L - Gas
Toyota	Prius	1997-2009	1.5L - Gas/Hybrid
Toyota	Prius	2010-2020	1.8L - Gas
Toyota	Prius C	2010-2020	1.5L - Gas
Toyota	Prius Plug-In	2012-2015	1.8L - Gas
Toyota	Prius Prime	2017-2020	1.8L - Gas
Toyota	Prius V	2012-2017	1.8L - Gas
Toyota	RAV4	2005-2008	2.4L - Gas
Toyota	RAV4	2005-2013	2.2 D
Toyota	RAV4	2006-2012	3.5L - Gas
Toyota	RAV4	2010-2018	2.5L - Gas
Toyota	Sequoia	2010-2012	4.6L - Gas
Toyota	Sequoia	2012-2020	5.7L - Gas
Toyota	Sienna	2009-2020	3.5L - Gas
Toyota	Sienna	2011-2012	2.7L - Gas
Toyota	Solara	2002-2008	2.4L - Gas
Toyota	Tacoma	2005-2015	4.0L - Gas
Toyota	Tacoma	2009-2020	2.7L - Gas
Toyota	Tacoma	2016-2020	3.5L - Gas
Toyota	Tundra	2008-2016	4.0L - Gas
Toyota	Tundra	2009-2020	5.7L - Gas
Toyota	Tundra	2010-2019	4.6L - Gas
Toyota	Venza	2009-2016	2.7L, 3.5L - Gas
Toyota	Verso	2009-2018	2.0 D, 2.2 D
Toyota	Yaris	2006-2011	1.5L - Gas
Toyota	Yaris/Vitz	2010-2020	1.3 - Gas; 1.4 D-4D

FUNNEL WITH CLIP TYPE ADAPTER

Make	Model	Year	Type
Audi	A1	2010-2018	1.4 TFSI
Audi	A3	2003-2012	1.4 TFSI, 1.6, 3.2 V6
Audi	A3	2004-2013	2.0 TDI
Audi	A4	2000-2004	1.8 - Gas; 1.9 TDI, 2.5 TDI
Audi	A4	2002-2009	2.5 TDI
Audi	A4	2004-2008	1.8 - Gas; 2.0 TDI
Audi	A6	1997-2005	1.8 - Gas; 1.9 TDI, 2.5 TDI
Audi	A6	2004-2011	2.0 TDI
Audi	A8	2002-2010	6.0 W12 quattro - Gas
Audi	Q7	2006-2015	3.6 FSI quattro
Audi	TT	1999-2006	1.8 - Gas
BMW	1 Series E87	2004-2012	116i, 118i, 120i, 130i; 118d, 120d

Make	Model	Year	Type
BMW	3 Series E46	1998-2007	323 Ci, 325 Ci, 330 Ci; 330 Cd
BMW	3 Series E90	2004-2011	316i, 320i, 325i; 318d, 320d, 330d, 335d
BMW	3 Series E92	2005-2013	320i, 330i; 325d, 330d, 335d
BMW	5 Series E60	2001-2010	523i, 540i, 550i; 520d, 525d
BMW	5 Series E61	2004-2010	525i, 530i, 545i; 530d
BMW	6 Series E63	2003-2010	630i, 645 Ci, 650i; 635d
BMW	7 Series E65	2001-2009	730i, 740i, 760i, Li; 730 Ld, 745d
BMW	8 Series E31	1990-1999	840i, 850 Ci
BMW	X3 E83	2003-2011	2.0i, 2.5i; 18d, 20d, 30d
BMW	X5 E53	2000-2006	3.0i, 4.4i, 4.8is; 3.0d
BMW	X5 E70	2006-2013	xDrive 48i; xDrive 35d
BMW	X6 E71, E72	2007-2014	xDrive 30d
BMW	Z3 E36	1997-2003	2.8i, 3.0i
BMW	Z3 Roadster E36	1995-2003	1.9i, 2.0i, 2.2i, 2.8i, 3.0i
BMW	Z4 E86	2006-2008	3.0 Si
BMW	Z4 Roadster E85	2002-2009	2.0i, 2.5i, 3.0i
BMW	Z8 Roadster E52	2000-2003	4.9
Chrysler	Crossfire	2003-2008	3.2 - Gas
Chrysler	PT Cruiser	2000-2010	2.2 CRD
Ford	Galaxy	1995-2006	2.8 - Gas; 1.9 TDI
Jeep	Grand Cherokee	1998-2005	2.7 CRD 4x4
Mercedes-Benz	A-Class W168	1997-2004	A 160 CDi, A 170 CDi
Mercedes-Benz	A-Class W169	2004-2012	A 160 CDi, A 180 CDi, A 200 CDi
Mercedes-Benz	B-Class W245	2005-2011	B 180 CDi, B 200 CDi
Mercedes-Benz	C-Class CL203	2001-2008	C 160, 180, 200, 230; C 30 CDi AMG
Mercedes-Benz	C-Class W202	1993-2000	C 180, 200, 220; C 200 CDi
Mercedes-Benz	C-Class W203	2000-2007	C 180, 200, 240, 280, 320; C 220, 270 CDi
Mercedes-Benz	C-Class W204	2007-2014	C 230, 250, 280, 300, 350 - Gas; C 320 CDi
Mercedes-Benz	CLK C208	1997-2002	CLK 200, CLK 230
Mercedes-Benz	CLS C219	2004-2010	CLS 350, CLS 500
Mercedes-Benz	E-Class W211	2007-2008	E 230, 320, 350, 500; E 280 CDI, E 320 CDI
Mercedes-Benz	G-Class W463	2006-2020	G 320, 500; G 400 CDi
Mercedes-Benz	M-Class W163	2001-2005	ML 230, 430, 500; ML 400 CDi
Mercedes-Benz	R-Class W251	2006-2012	R 350, 500; 280 CDi, 300 CDi
Mercedes-Benz	S-Class W220	1998-2005	S 280, 350, 430, 500; S 320 CDi, 400 CDi
Volvo	850	1992-1997	2.5 TDI
Volvo	S70	1996-2000	2.5 TDI
Volvo	S80	1998-2006	2.5 TDI
Volvo	V70	1999-2008	2.5 TDI
VW	Beetle	2011-2019	2.5 - Gas
VW	Bora	1998-2013	1.6, 1.8, 2.3 - Gas; 1.9 TDI

Make	Model	Year	Type
VW	Caddy	2004-2015	1.6 Bi-Fuel, 2.0 EcoFuel
VW	CC	2011-2016	3.6 FSI 4motion
VW	EOS	2006-2015	3.2 V6 - Gas
VW	Golf	1997-2006	1.6, 2.0, 2.3, 2.8 - Gas; 1.9 TDI
VW	Golf	2003-2009	1.4 16V
VW	Jetta	2004-2010	1.3, 1.8, 2.5 - Gas; 1.6, 1.9 TDI
VW	LT	1996-2006	2.5 TDI
VW	Lupo	1998-2005	1.4 - Gas; 1.4 TDI
VW	Multivan	2003-2015	1.9 TDI, 2.5 TDI
VW	Passat	2000-2005	1.8, 2.0, 2.3, 4.0 - Gas; 1.9 TDI, 2.5 TDI
VW	Phaeton	2002-2016	3.2, 6.0 - Gas; 5.0 TDI
VW	Polo	2001-2009	1.2 12V
VW	Sharan	1995-2010	2.8 VR6 Syncro; 1.9 TDI
VW	Touareg	2002-2010	3.2, 6.0 - Gas
VW	Touran	2003-2010	1.4, 1.6 - Gas; 2.0 TDI