



ET1181B

ISUZU, FUSO, TOYOTA SPRING PIN METAL BUSH REMOVAL / INSTALLATION TOOL KIT (HYDRAULIC)

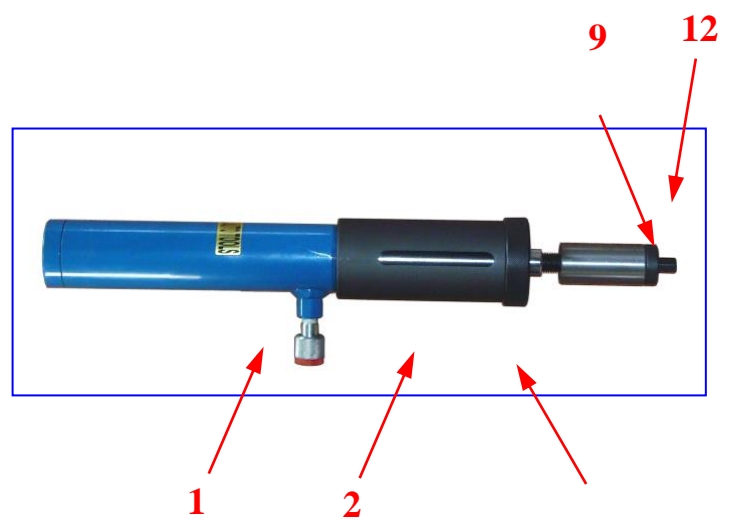
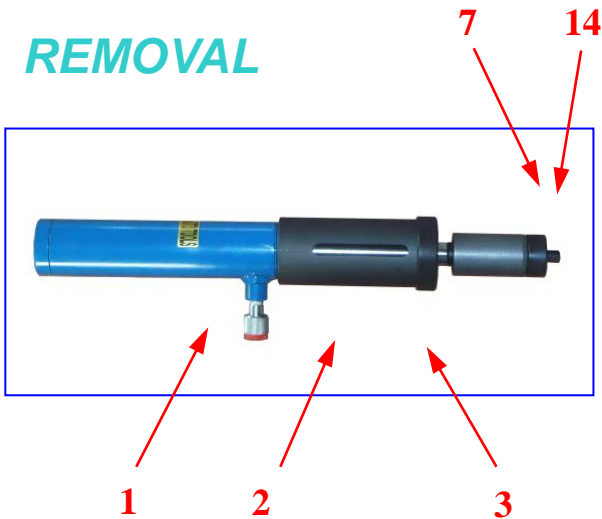


BUSH



- APPLICATION: ISUZU, FUSO, TOYOTA, MEDIUM-SIZED WAGON & PICKUP.
- To replace spring pin more easily.
- Money and labour saver.

REMOVAL



INSTALLATION

