



# ET1129D

BMW

(E31/E32/E34/E38/E39/E53/E60/E65/E66/E70/E90/E91/  
E92/E93/M3) UPPER SUB-FRAME BUSH EXTRACTOR /  
INSTALLER (HYDRAULIC) (3/8" ADAPTOR) **PAT.**



VIDEO



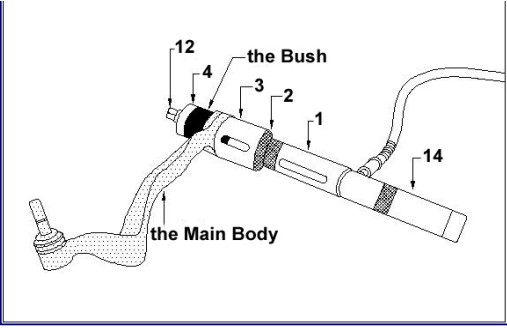
•Use this kit to remove and install the metallic bushing in the traction strut with hydraulic driven and on car maintenance.

•Applicable Models:

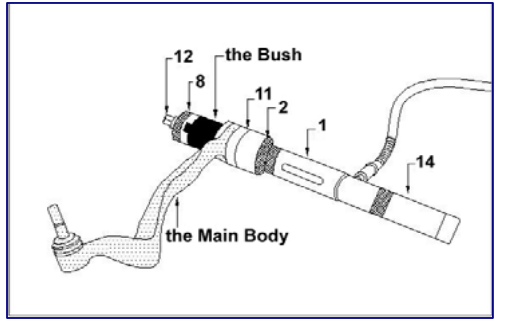
E31/E32/E34/E38/E39/E53/E60/E65/E66/E70/E90/E91/

# The Functions of the Accessories for ET1129D

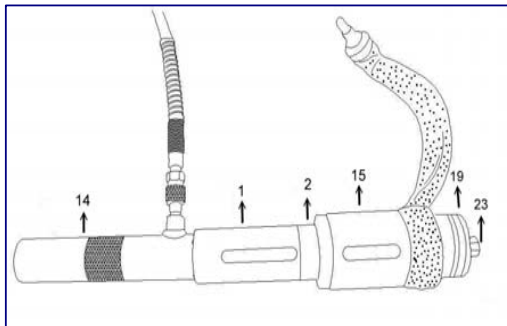
Part No.	Description	Dimension	Q'ty	Part No.	Description	Dimension	Q'ty
H.C.B-D1129-1	the Fixed Base of the Oil Pressure Cylinder	Ø60*160L	1	H.C.B-D1129-14	the Main Body of the Oil Pressure Cylinder		1
H.C.B-D1129-2	the removing and installing tool applicable for E38, E66, E70(X5), E90/M3	Ø80*24L	1	H.C.B-D1129-15	Detachable Base	Ø84x92L	1
H.C.B-D1129-3	only being used as the removing tool applicable for E38, E66	Ø82*86L	1	H.C.B-D1129-16	the removing and installing tool applicable for E70(X5)	Ø72x80L	1
H.C.B-D1129-4	only being used as the removing tool applicable for E66	Ø69*20L	1	H.C.B-D1129-17	the removing and installing tool applicable for E70(X5), E90	Ø84x40L	1
H.C.B-D1129-5	only being used as the removing tool applicable for E38	Ø65*20L	1	H.C.B-D1129-18	only being used as the installing tool applicable for E70(X5)	Ø85x34L	1
H.C.B-D1129-6	only being used as the removing tool applicable for E32, E34, E39	Ø57*16L	1	H.C.B-D1129-19	only being used as the removing tool applicable for E70(X5)	Ø69x20L	1
H.C.B-D1129-7	the removing / installing tool applicable for E32, E34, E39	Ø72*80L	1	H.C.B-D1129-20	only being used as the installing tool applicable for E70(X5)	Ø65.5x20L	1
H.C.B-D1129-8	only being used as the installing tool applicable for E66	Ø85*34L	1	H.C.B-D1129-21	only being used as the installing tool applicable for E70(X5)	Ø53x22 L	1
H.C.B-D1129-9	only being used as the installing tool applicable for E38	Ø75*31L	1	H.C.B-D1129-22	only being used as the removing tool applicable for E70(X5)	Ø42 x20L	1
H.C.B-D1129-10	only being used as the installing tool applicable for E32, E34, E39	Ø70*24L	1	H.C.B-D1129-23	only being used as the removing tool applicable for E70(X5), M3, E90	Ø24.5x220L	1
H.C.B-D1129-11	only being used as the installing tool applicable for E38, E66	Ø82*40L	1	H.C.B-D1129-24	only being used as the removing tool applicable for M3	Ø69.3x30L	1
H.C.B-D1129-12	the Screw of the Oil Pressure Cylinder	M12*P1.75	1	H.C.B-D1129-25	only being used as the installing tool applicable for M3, E90	Ø118x16L	1
H.C.B-D1129-13	only being used as the installing tool applicable for E39	Ø70*6L	1	H.C.B-D1129-26	only being used as the installing tool applicable for M3, E90	Ø79x35L	1



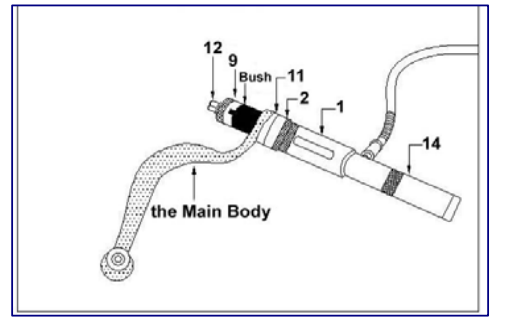
E32.E34 Bush extract



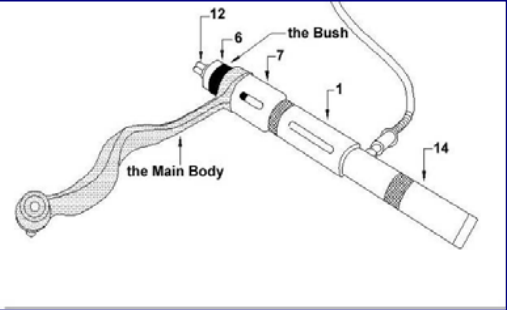
E32.E34 Bush installer



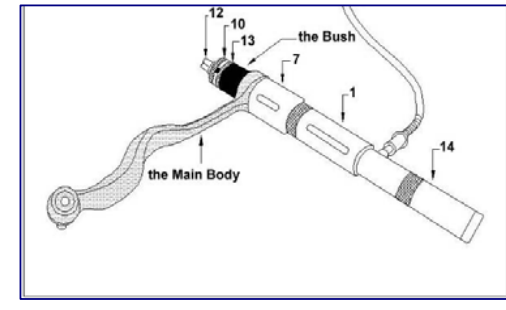
E38 Bush extract



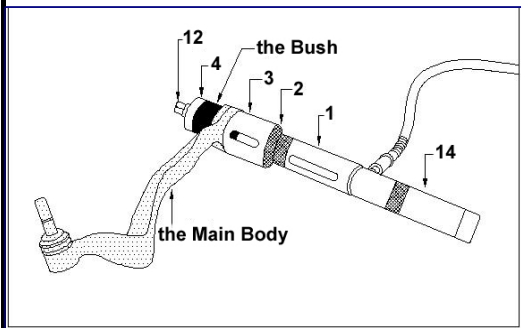
E38 Bush installer



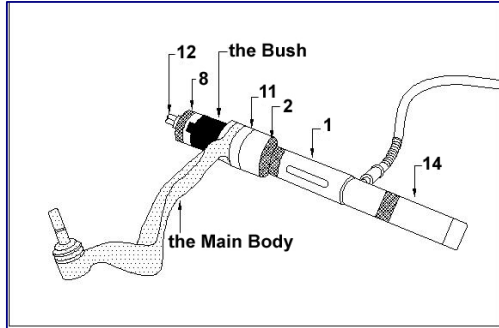
E39 Bush extract



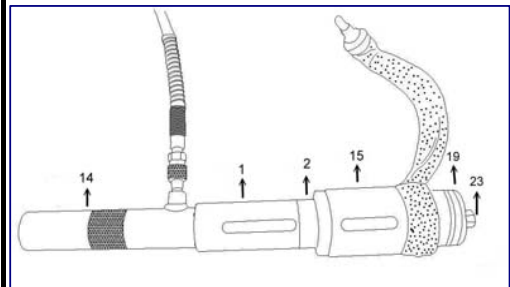
E39 Bush installer



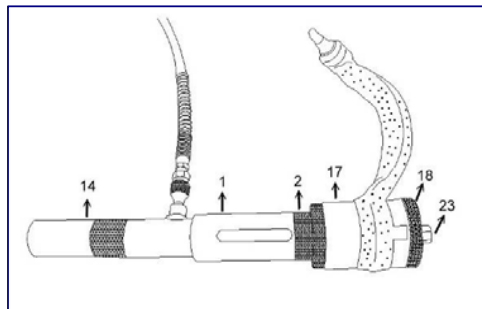
E66 Bush extract



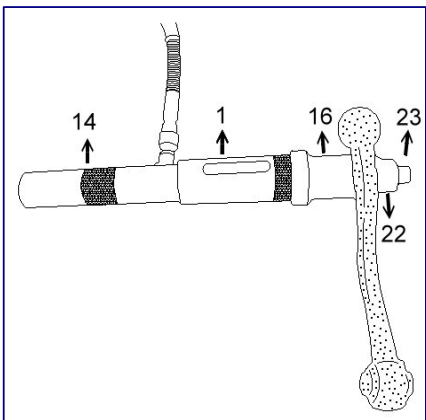
E66 Bush installer



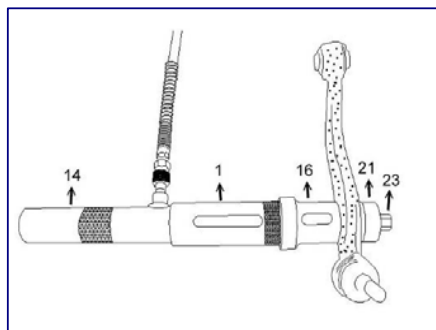
X5(E70) front sub-frame front bush extract



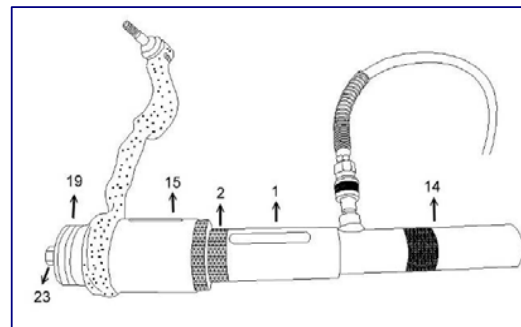
X5(E70) front sub-frame front bush installer



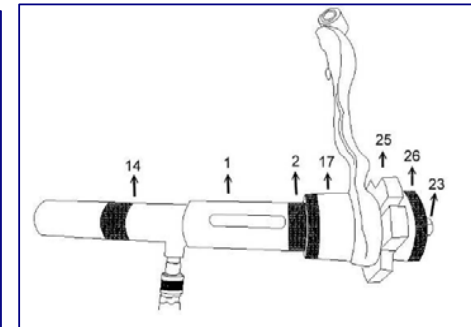
X5(E70) front sub-frame rear bush extract



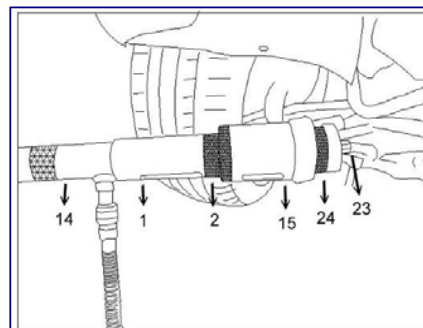
X5(E70) front sub-frame rear bush installer



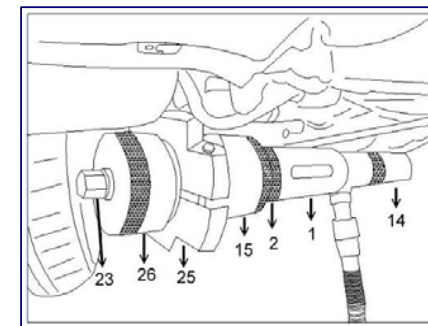
E90 front sub-frame front bush extract



E90 front sub-frame front bush Installer



M3 front sub-frame front bush extract



M3 front sub-frame front bush Installer