

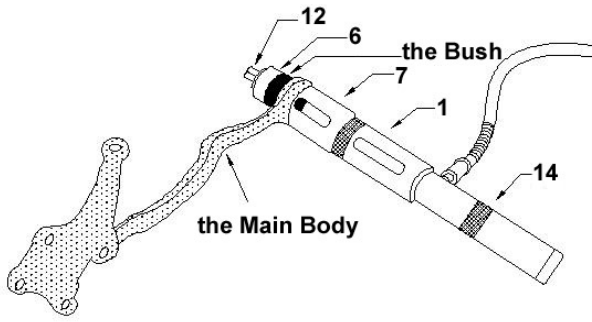


BMW(E32/E34/E38/E39/E53/E60/E65/E66/E70) UPPER SUB-FRAME BUSH EXTRACTOR / INSTALLER (HYDRAULIC) PAT. M277669 USA PAT.

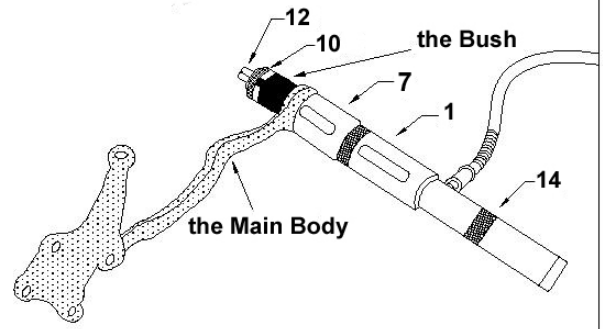


Part No.	Description	Dimension	Quantity
ET1129C-1	the Fixed Base of the Oil Pressure Cylinder	Ø60*160L	1
ET1129C-2	the removing and installing tool applicable for E38, E66,E70(X5),E90/M3	Ø80*24L	1
ET1129C-3	only being used as the removing tool applicable for E38, E66	Ø82*86L	1
ET1129C-4	only being used as the removing tool applicable for E66	Ø69*20L	1
ET1129C-5	only being used as the removing tool applicable for E38	Ø65*20L	1
ET1129C-6	only being used as the removing tool applicable for E32, E34, E39	Ø57*16L	1
ET1129C-7	the removing / installing tool applicable for E32, E34, E39	Ø72*80L	1
ET1129C-8	only being used as the installing tool applicable for E66	Ø85*34L	1
ET1129C-9	only being used as the installing tool applicable for E38	Ø75*31L	1
ET1129C-10	only being used as the installing tool applicable for E32, E34, E39	Ø70*24L	1
ET1129C-11	only being used as the installing tool applicable for E38, E66	Ø82*40L	1
ET1129C-12	the Screw of the Oil Pressure Cylinder	M12*P1.75	1
ET1129C-13	only being used as the installing tool applicable for E39	Ø70*6L	1
ET1129C-14	the Main Body of the Oil Pressure Cylinder		1
ET1129C-15	Detachable Base	Ø84x92L	1
ET1129C-16	the removing and installing tool applicable for E70(X5)	Ø72x80L	1
ET1129C-17	the removing and installing tool applicable for E70(X5),E90	Ø84x40L	1
ET1129C-18	only being used as the installing tool applicable for E70(X5)	Ø85x34L	1
ET1129C-19	only being used as the removing tool applicable for E70(X5)	Ø69x20L	1
ET1129C-20	only being used as the installing tool applicable for E70(X5)	Ø65.5x20L	1
ET1129C-21	only being used as the installing tool applicable for E70(X5)	Ø53x22 L	1
ET1129C-22	only being used as the removing tool applicable for E70(X5)	Ø42 x20L	1
ET1129C-23	only being used as the removing tool applicable for E70(X5),M3,E90	Ø24.5x220L	1

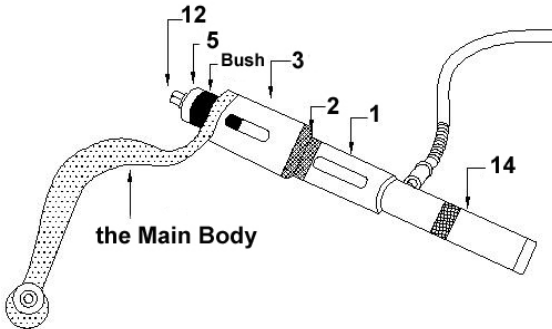
the E32, E34 Extracting Diagram



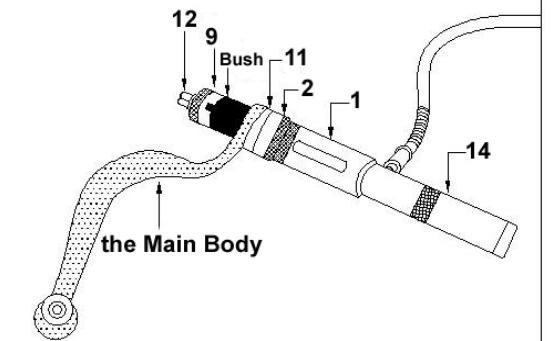
the E32, E34 Installing Diagram



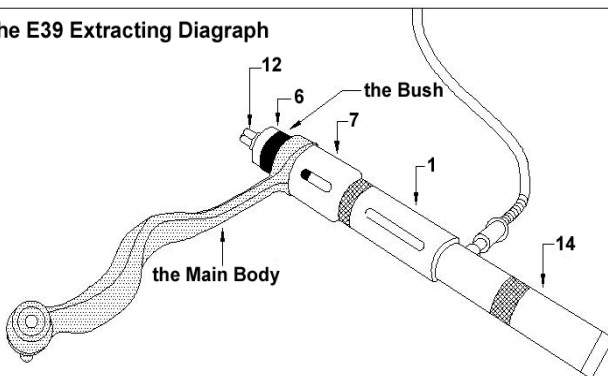
the E38 Extracting Diagram



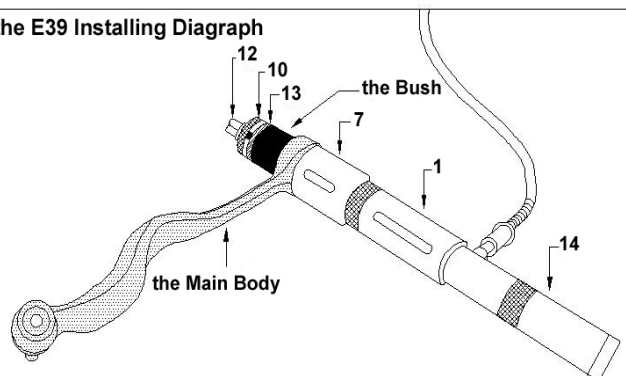
the E38 Installing Diagram



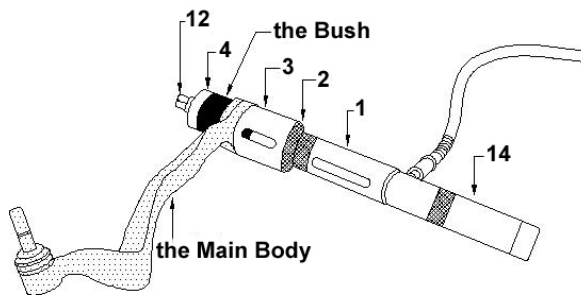
the E39 Extracting Diagram



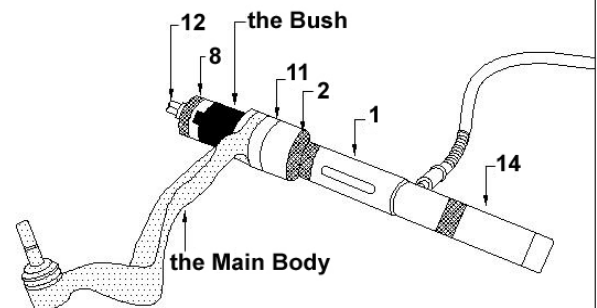
the E39 Installing Diagram



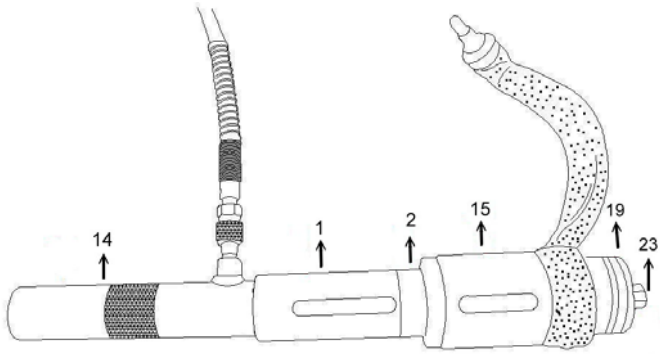
the E66 Extracting Diagram



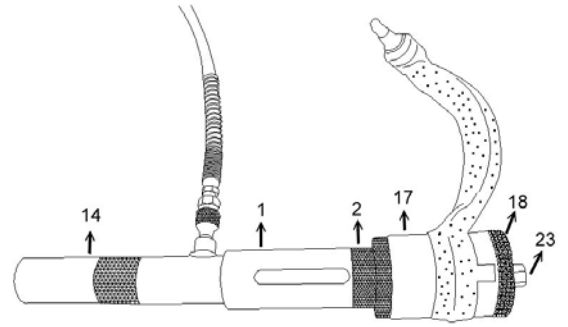
the E66 Installing Diagram



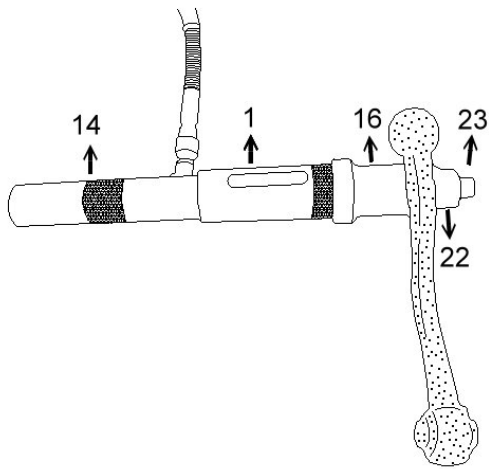
X5(E70) front sub-frame **front** bush extract



X5(E70) front sub-frame **front** bush installer



X5(E70) front sub-frame **rear** bush extract



X5(E70) front sub-frame **rear** bush installer

