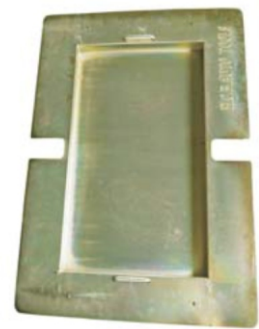


GEAR TYPE UNIVERSAL K/D RACK

PAT. M 252610 USA PAT. 7093809



Accessory:
ET1117B-1 Drain Pan



- Application: V6, V8, V10, V12 and general engines.

- Technical information:

ØNWith two strong support frames, make it stable while rotating engine.

PNBy turning the handwheel(1), adjust the distance between two frames.

Save time and labor!

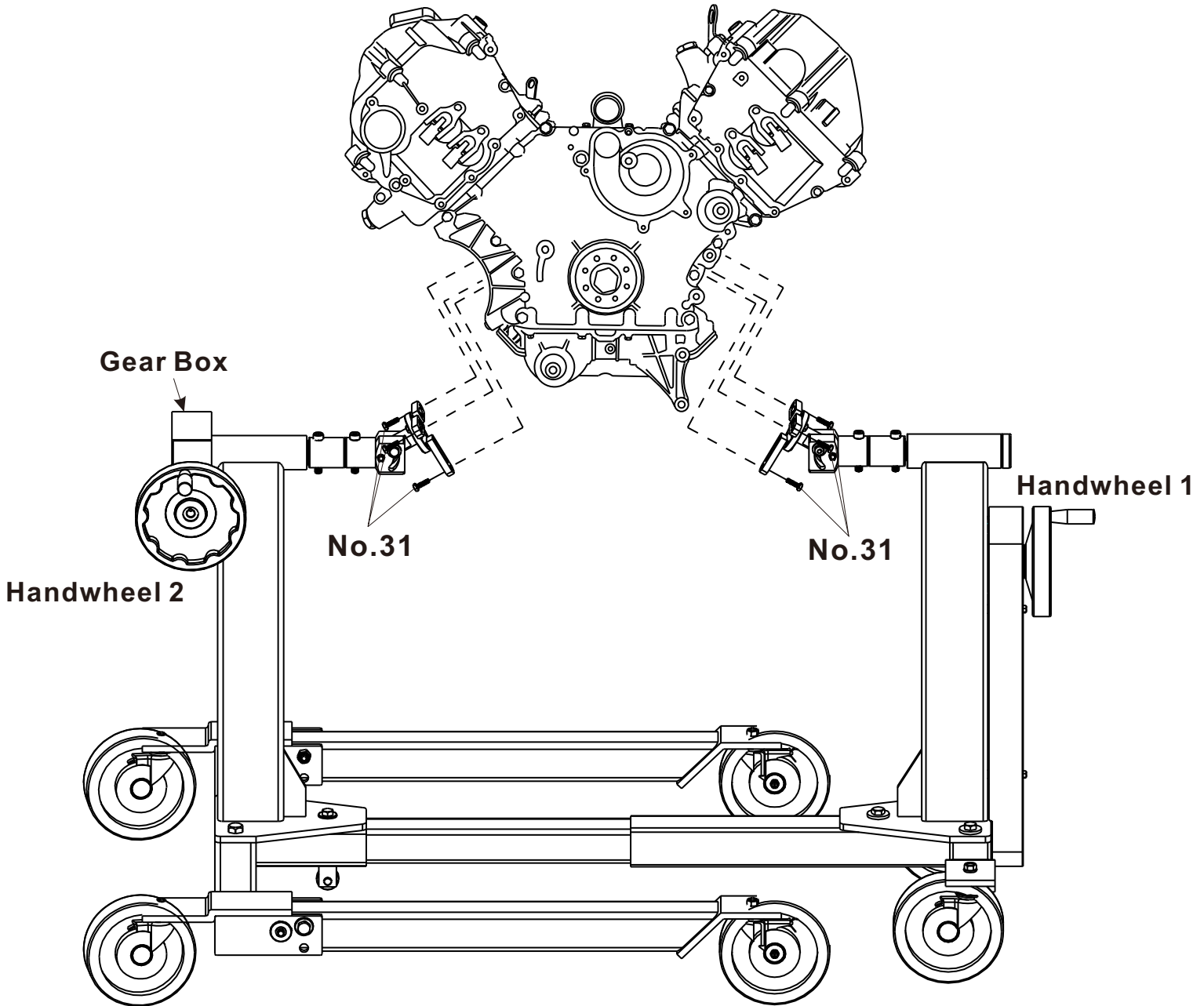
QNIt can be rotated 360 degrees by turning the handwheel(2).

Applicable to any kind of engine and transmission.

RNCapacity: 500kg

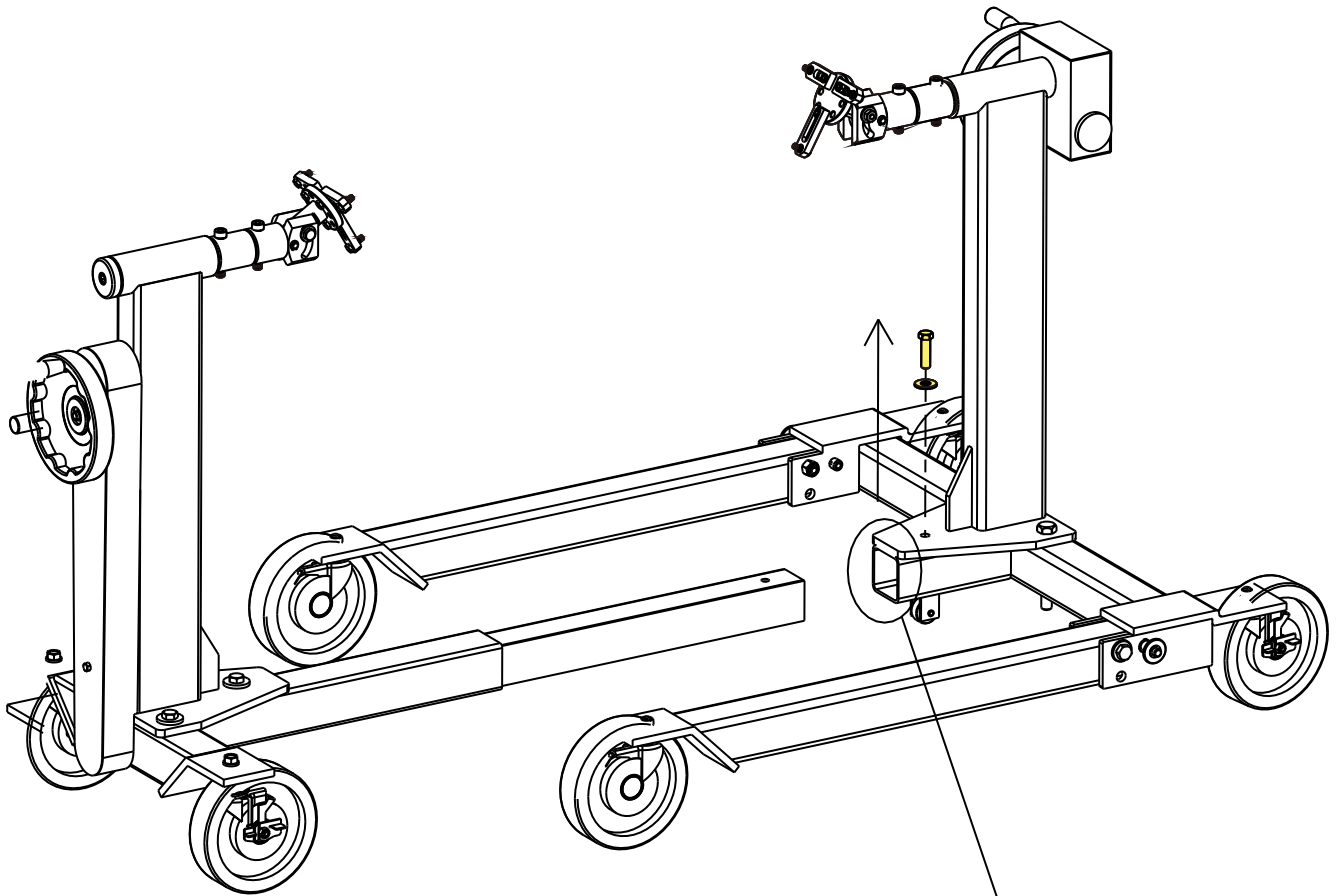
BMW N62&N73 Engine

Engine

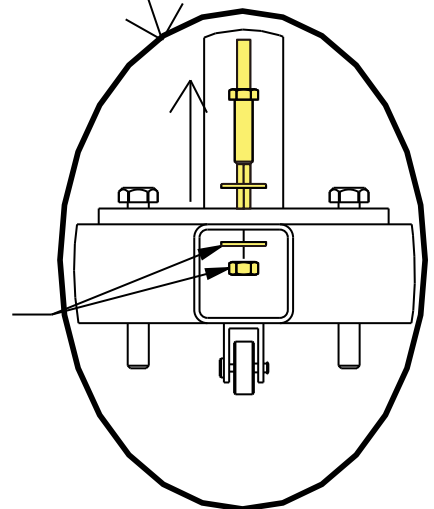


Combination of Main Body

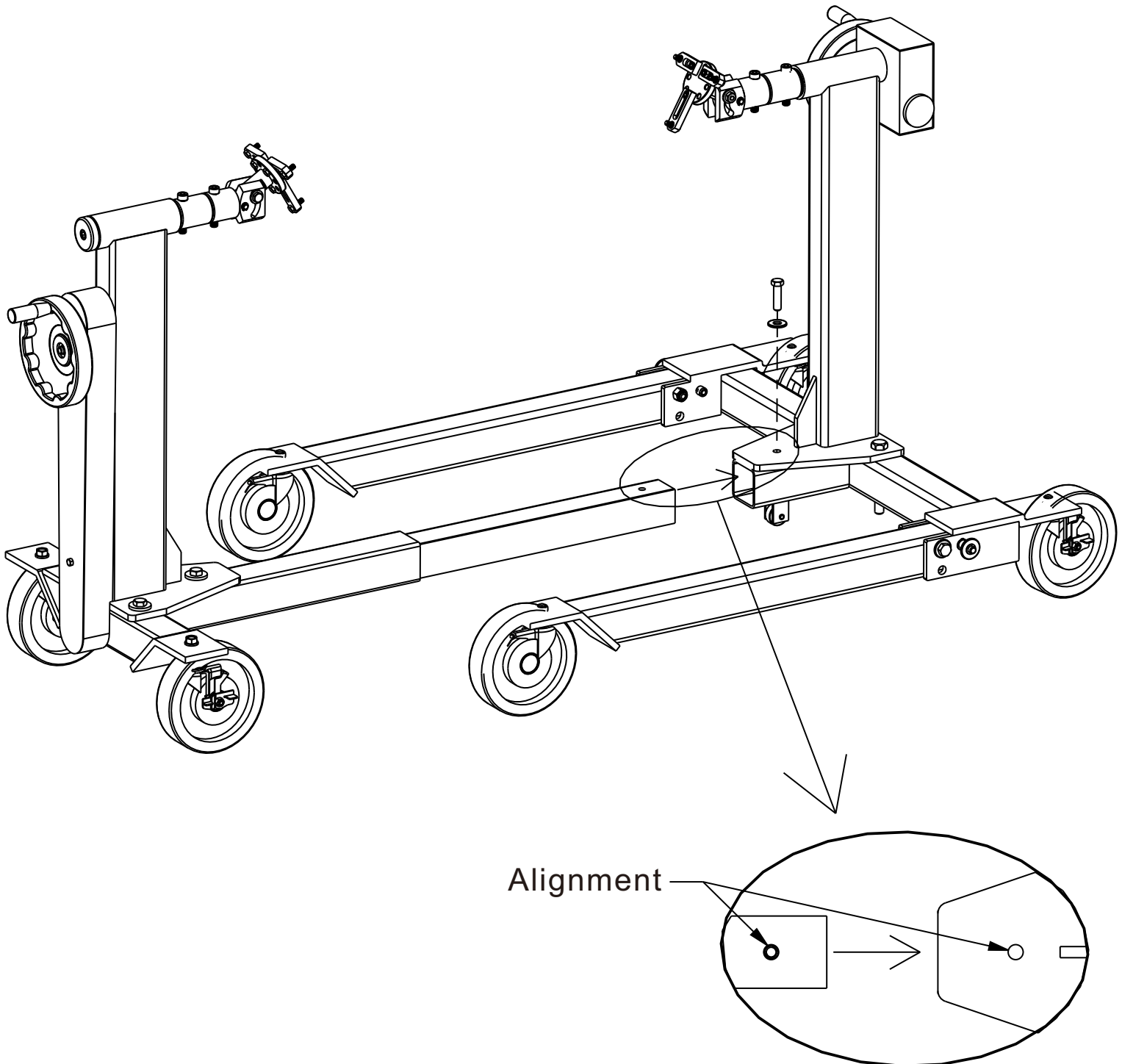
1. Take out the washer and screw of the picture.



Useless, can recycle.

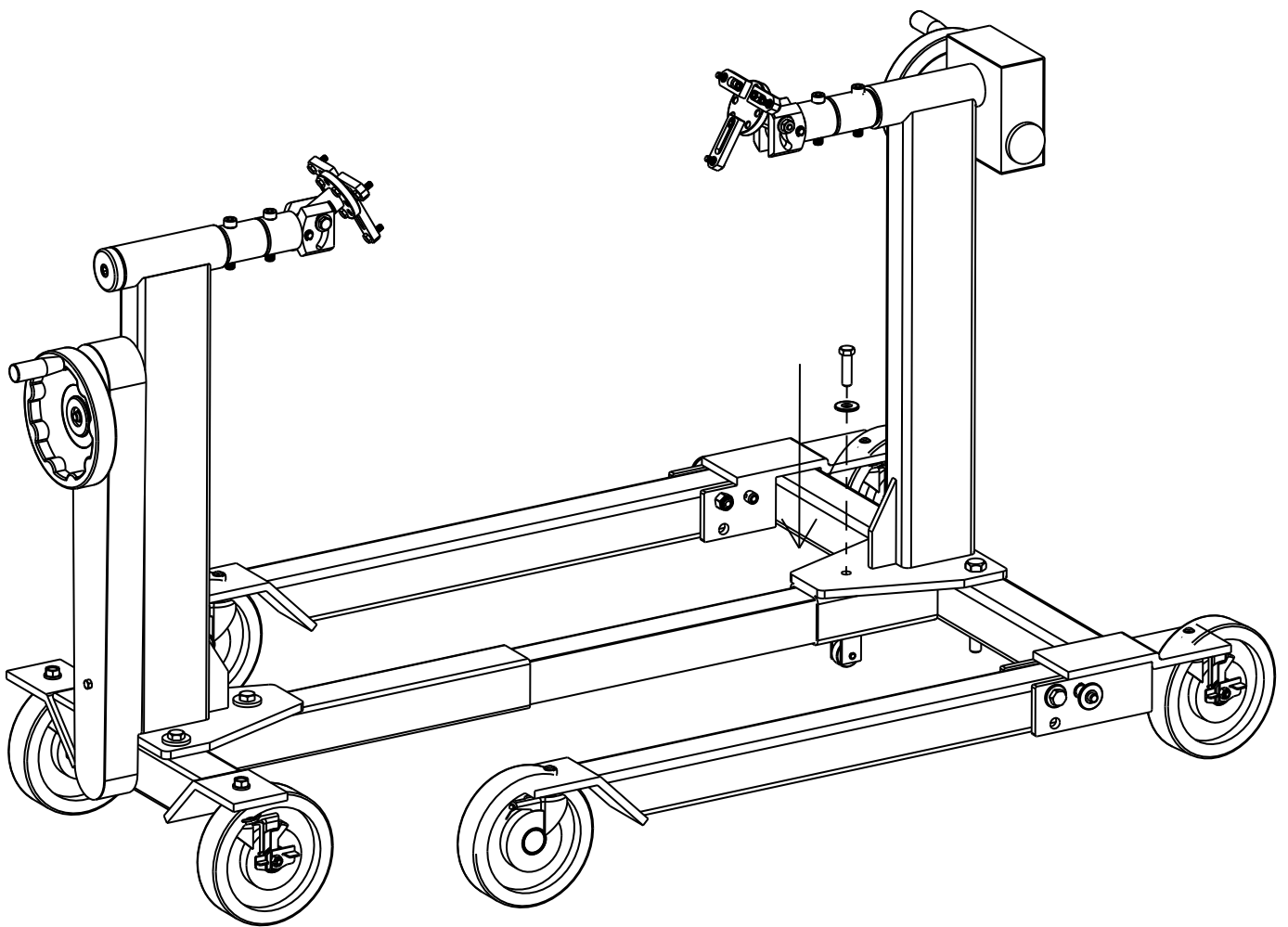


2. Connect to main body and align to screw hole

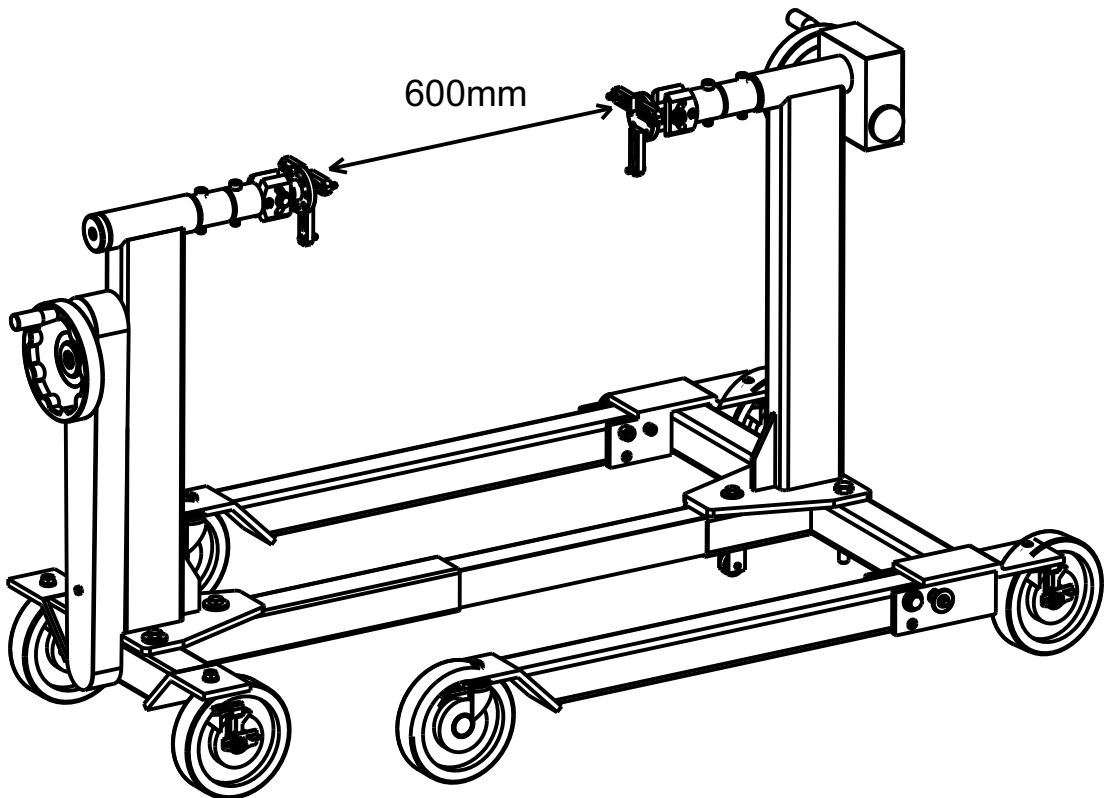
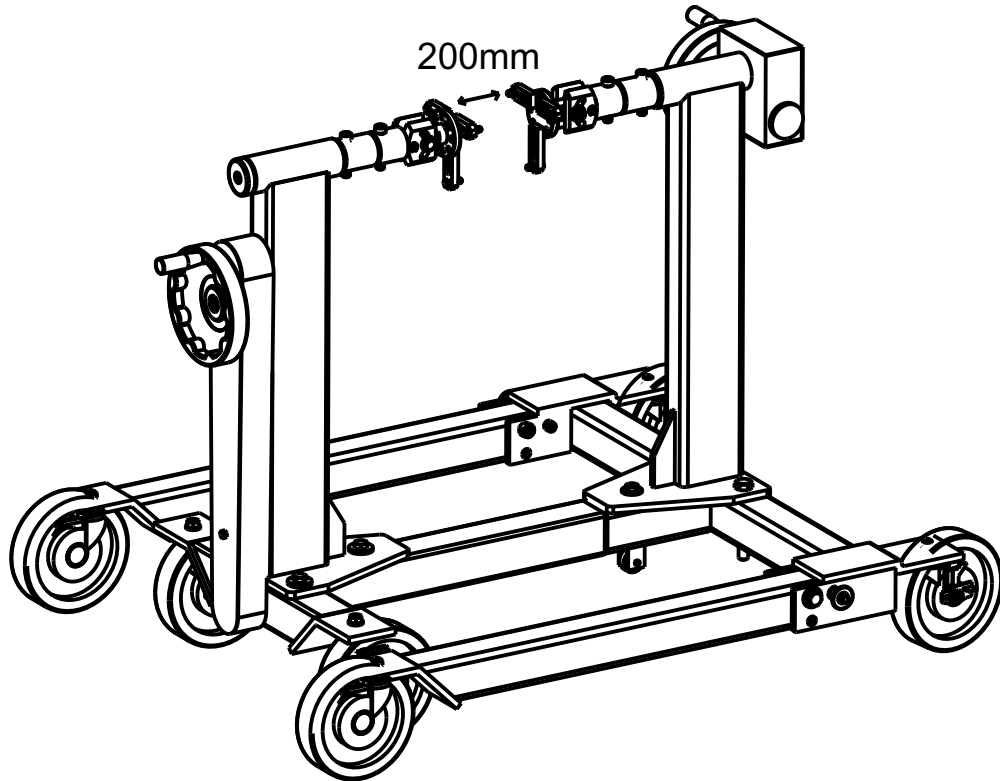


3

- Screw into washer and screw and then finish

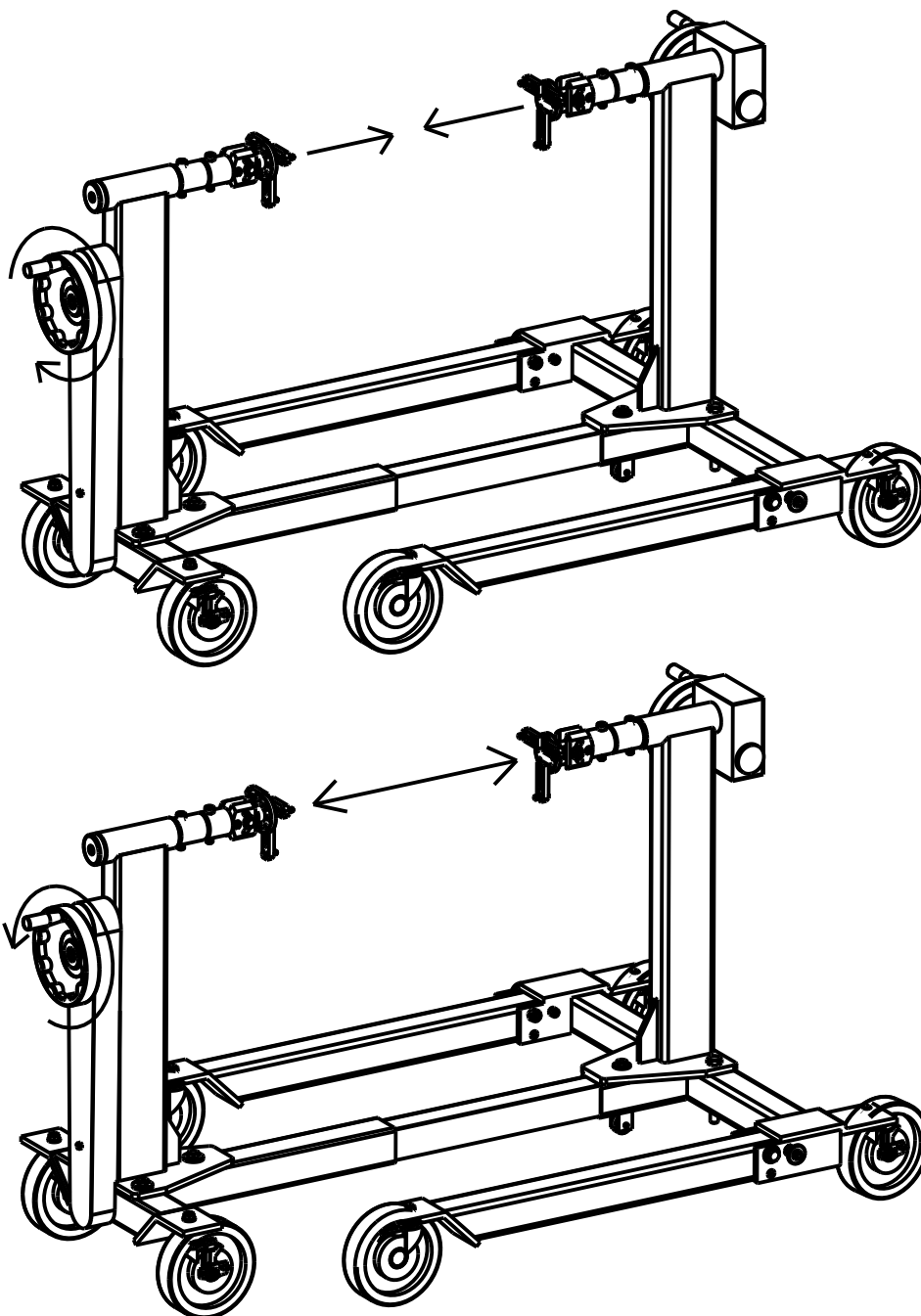


Adjust distance 200mm~600mm



Distance adjustment

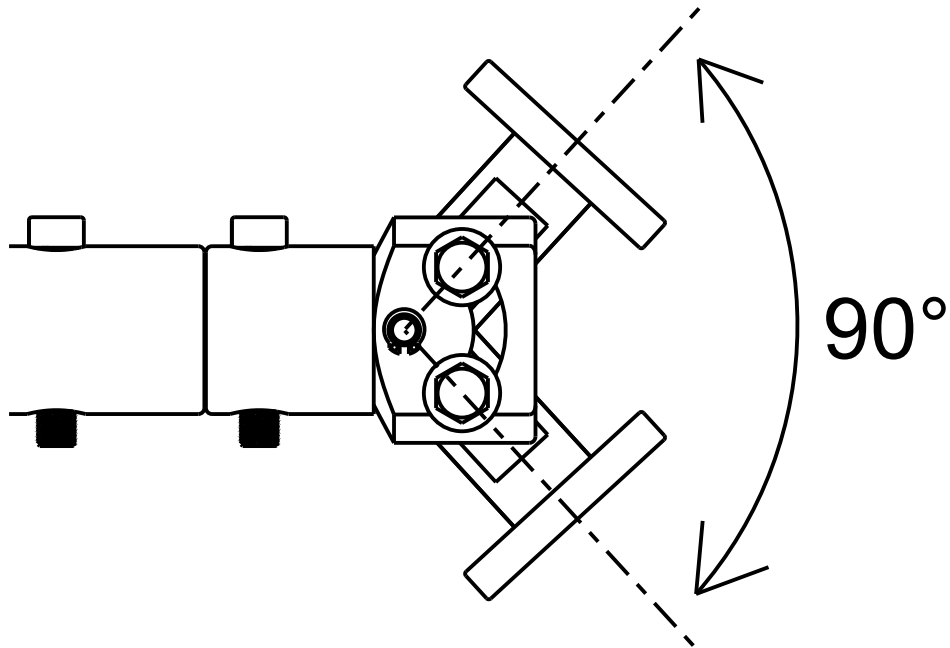
- It can lengthen the distance by turning handwheel anti-clockwise.
- It can shorten the distance by turning handwheel clockwise.



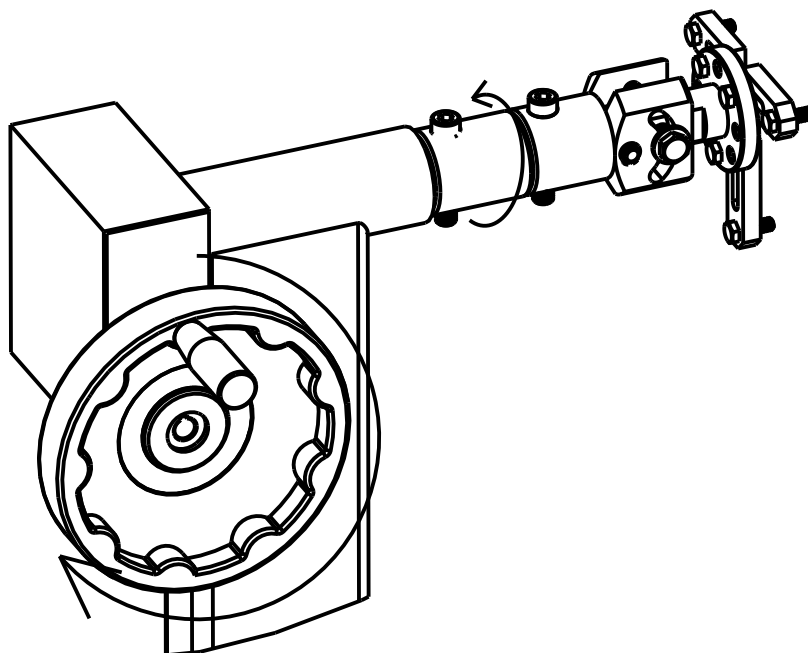
Caution: Place on flat ground while adjusting the distance.

Function of Universal Jaw

Universal jaw can adjust 90°



Labour-saving function of internal gear:
Turn the handwheel 360 degrees to rotate the universal jaw.



Engine installation

- Combine all parts of fig 1.
- 6-4 & 6-5, depend on the real situation to adjust the position.
- As fig 2, pass part 31 through 6-4 & 6-5 and lock the engine.

