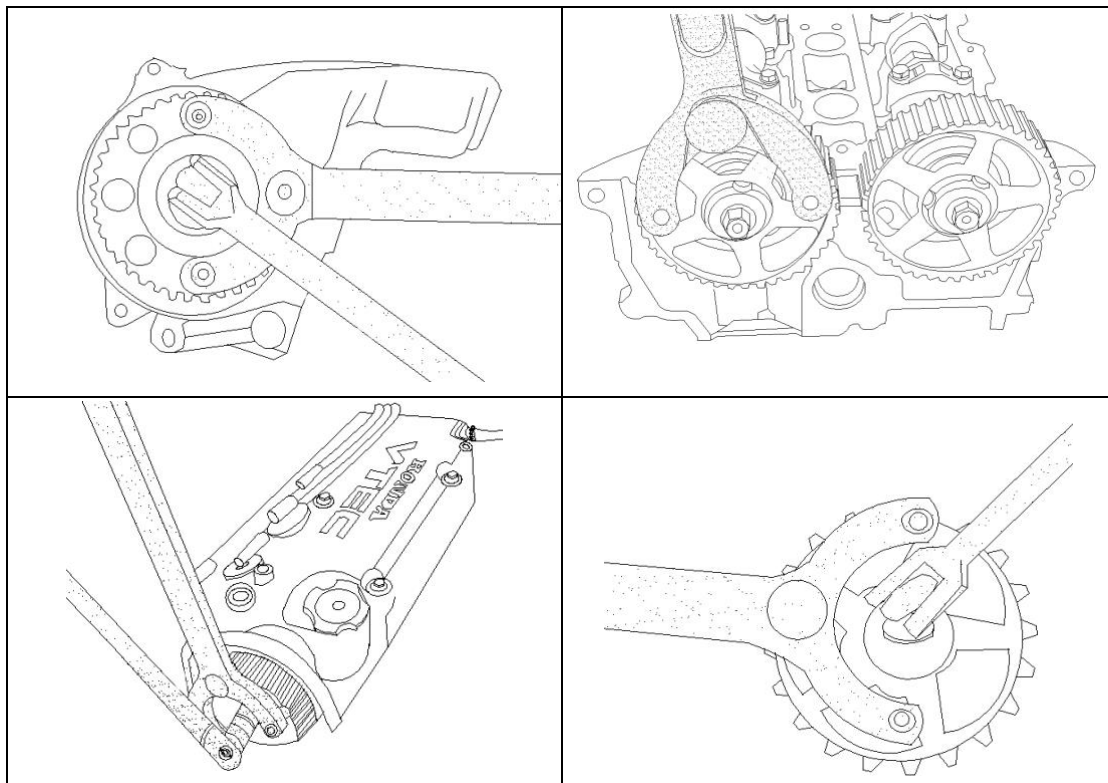


ET1081B

ADJUSTABLE UNIVERSAL CAMSHAFT PULLEY HOLDING TOOL



Applications: Benz, BMW, Ford, Honda, VW, Audi, Nissan, Volvo, Mitsubishi, Toyota, Chrysler etc...



CAUTION:

1. READ THE MANUAL CAREFULLY BEFORE USE!
2. THIS TOOL IS DESIGNED TO HOLD THE CAMSHAFT ONLY. IMPROPER USE MIGHT CAUSE DAMAGE TO THIS TOOL.
3. DO NOT USE TO HOLD CRANKSHAFT PULLEY.

