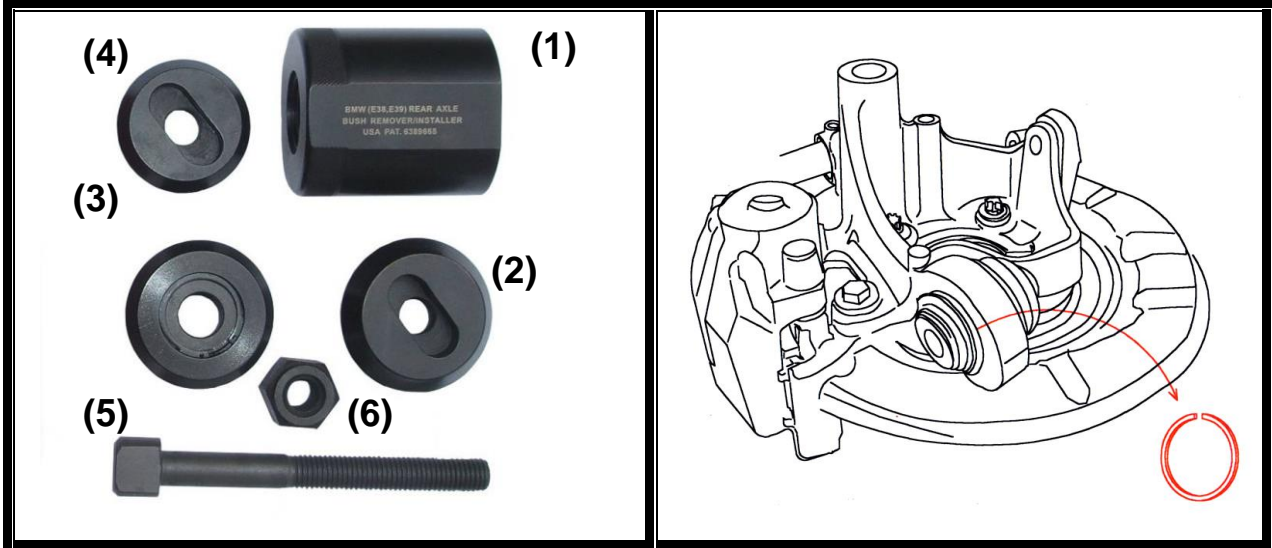


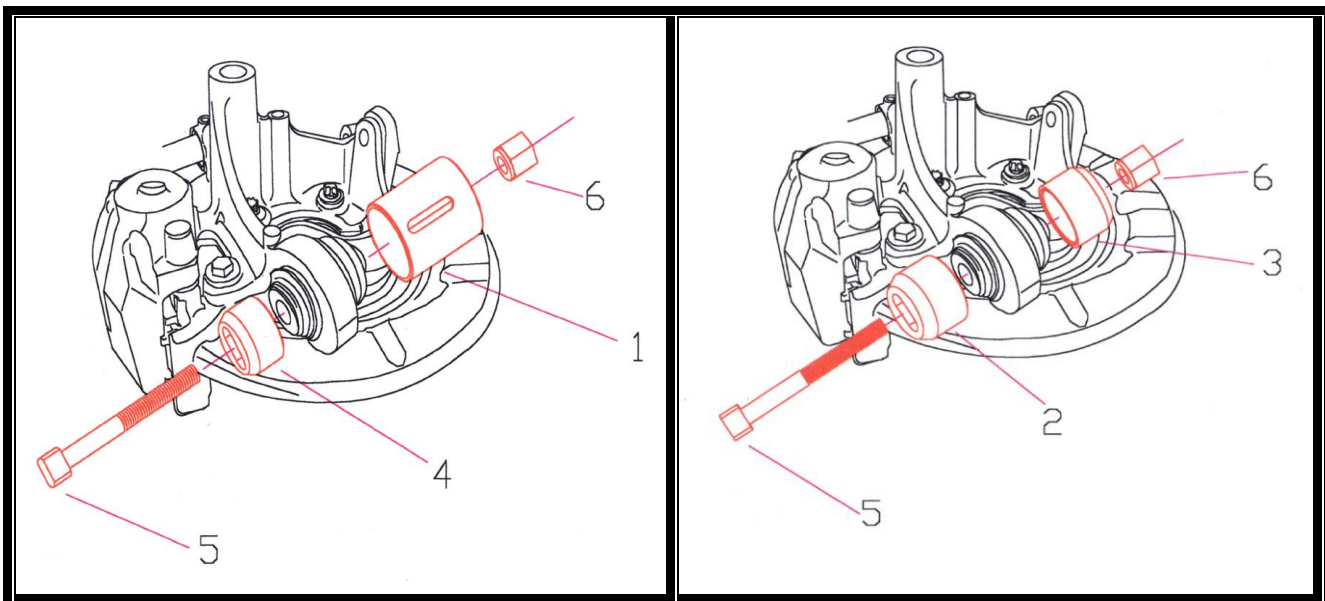
ET1070A

BMW REAR AXLES BUSH REMOVAL / INSTALLATION KIT
(E38/E39/E52/E53/E60/E61/E63/E64/E65/E66/E67/E70/F01/F02/F04/F
07/F10/F11/F18) USA.PAT.6389668



Tools

1. Remove the C Ring



2. Extract

3. Install

- Removal and replacement tool for metallic bushes on rear axles.
- A time saving kit designed to operate on vehicle.
- Applications: BMW (E38 / E39 / E52 / E53 / E60 / E61 / E63 / E64 / E65 / E66 / E67 / E70 / F01 / F02 / F04 / F07 / F10 / F11 / F18)