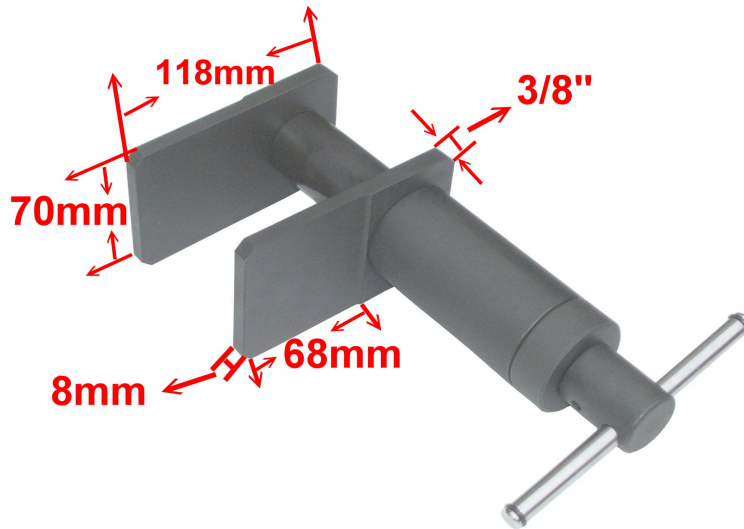




ET1059B

UNIVERSAL CALIPER PRESSURE TOOL
(FOUR PISTONS)



Movement Range: 16 ~ 90 mm

Plate Size: 118 x 70 mm

Material: S45C

Hardness: HRC 35° ~ 40°

N.W.: 2.8 KGS



- **Application: BENZ (four pistons), BMW, VW, TOYOTA, FORD, and most cars and light trucks.**
- **A universal tool for pressing caliper pistons back into caliper housings with special broadened steel board.**
- **Due to the construction of this tool which incorporates high-precision hardened cylinder and piston, together with a built-in axial bearing, the highest precision allows easily function to press-back the pistons into the caliper.**