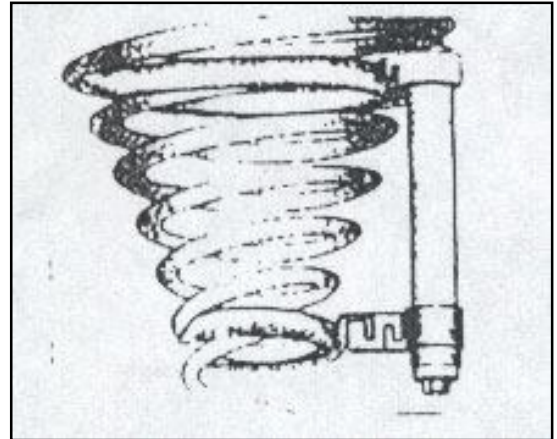


# ET1047

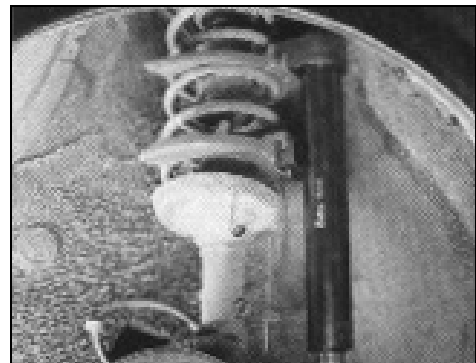
## MACPHERSON SPRING DAMPER EXTRACTION / INSTALLATION TOOL KIT (CHANGEABLE)



NO IMPACT / POWER DRIVE



(Special use)



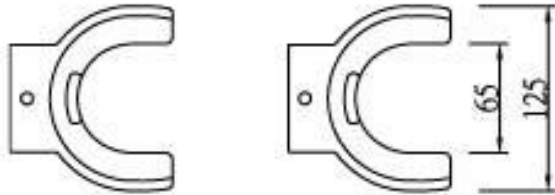
- Spring compressors are multi-applicable tools specifically developed for modern Macpherson suspensions, using ranges of 3 sets of interchangeable mono block forks.
- Designed for used with air impact.
- Application: BMW, TOYOTA, FORD, MITSUBISHI, VW, AUDI, SAAB, NISSON, HONDA, ACCORD, SUBARU, VOLVO, OPEL and PORSCHE.
- N.W.: 14 KGS G.W.:15KGS
- Spring specification:
  - A:  $\psi 75 \sim \psi 110$
  - B:  $\psi 110 \sim \psi 140$
  - C:  $\psi 140 \sim \psi 190$

- Max Load:10 200 N

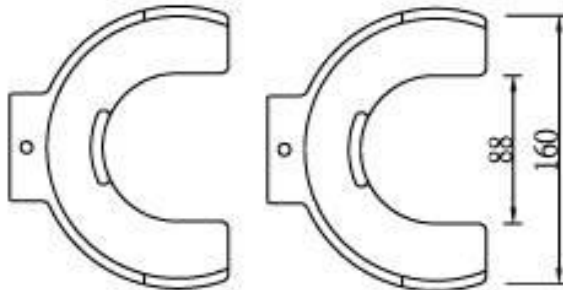
# ET1047

## MACPHERSON SPRING DAMPER EXTRACTION / INSTALLATION TOOL KIT (CHANGEABLE)

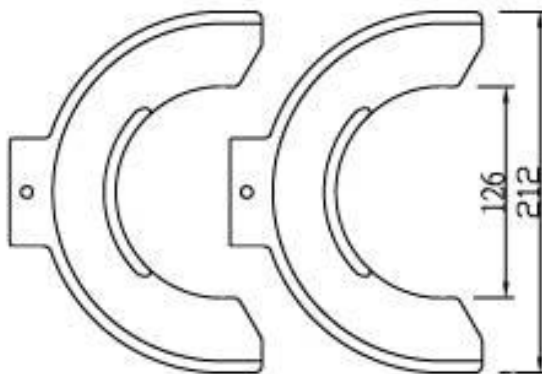
2PCS\*1.45kg Use range:80~115mm



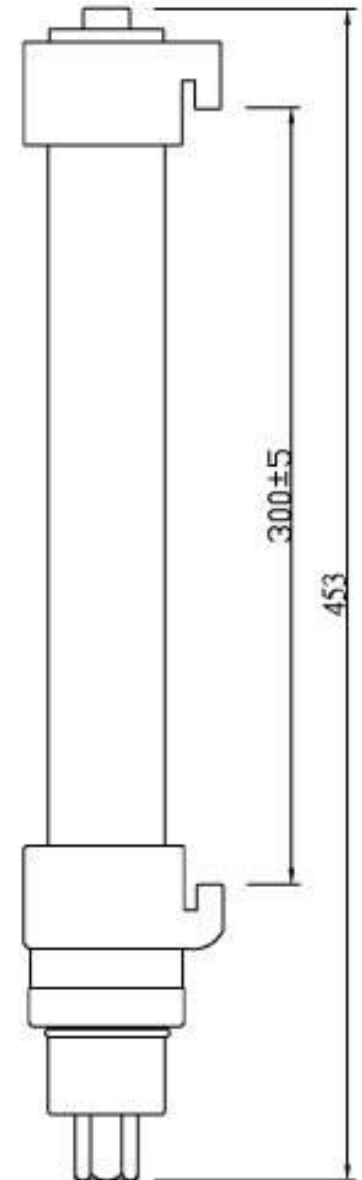
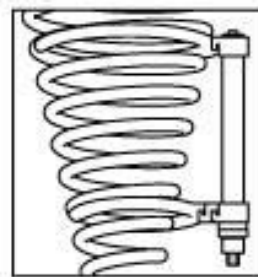
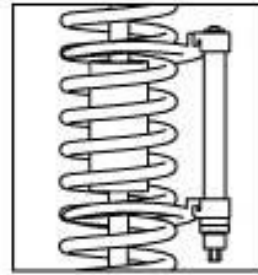
2PCS\*2.2kg Use range:110~150mm



2PCS\*2.3kg Use range:140~195mm

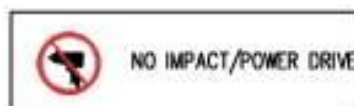


5.17kg

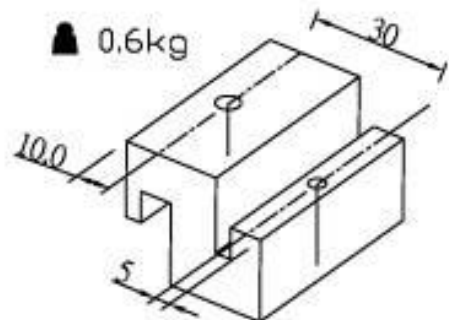


**SPRING COMPRESSORS ARE  
MULTI-APPLICATION TOOL  
SPECIFICALLY.**

DEVELOPED FOR MODERN  
MACPHERSON SUSPENSIONS · USING  
A RANGE OF 3SETS OF  
INTERCHANGEABLE MONO BLOCK  
FORKS

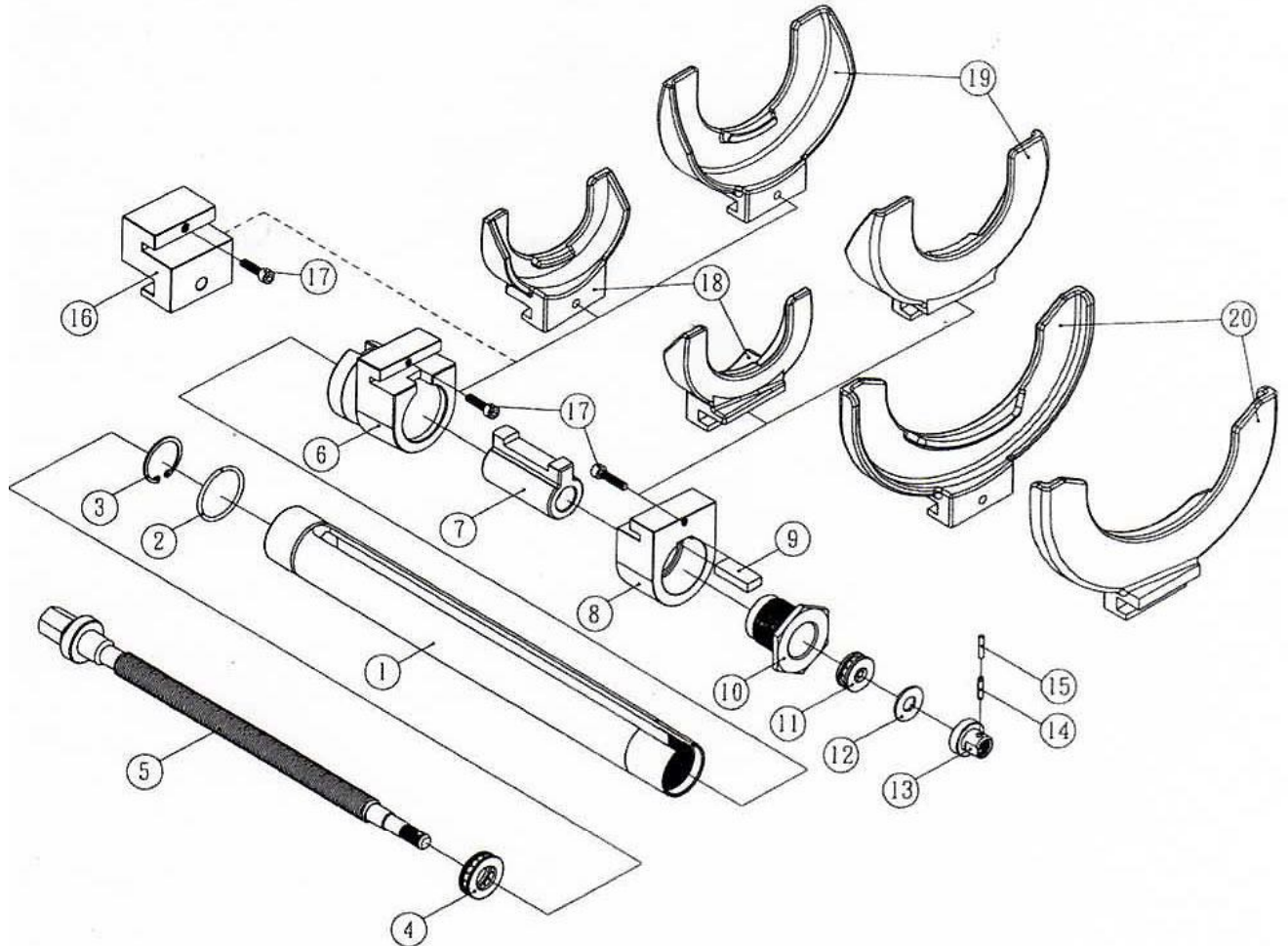


0.6kg



# ET1047

## MACPHERSON SPRING DAMPER EXTRACTION / INSTALLATION TOOL KIT (CHANGEABLE)



### Contents

NO	Name of Products	Amount	NO	Name of Products	Amount
1	Cylinder Body	1	11	Thrust Bearing(51201)	1
2	Cir Clip (Round Shape)	1	12	Washer	1
3	Cir Clip (C Shape)	1	13	Screw	1
4	Thrust Bearing (51104)	1	14	Spring Pin ( $\phi$ 4*16L)	1
5	Spindle (M19*P4-L)	1	15	Steel pin ( $\phi$ 2.6*16)	1
6	Fixed Jaw Mount	1	16	Extended Bracket	1
7	Swing Bushing	1	17	Hexagon Screw	3
8	Spindle Jaw Mount	1	18	Jaws(65~125mm)	2
9	Countersink Pin	1	19	Jaws(88~160mm)	2
10	Hexagon Screw	1	20	Jaws(126~215mm)	2