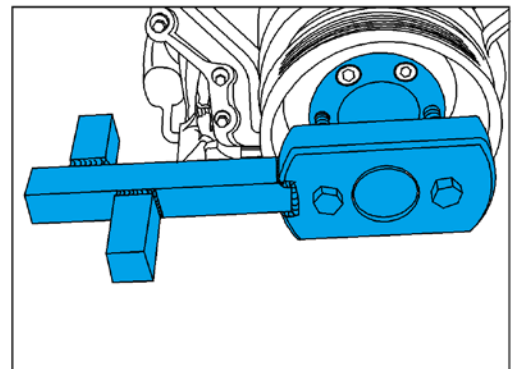


# ET1017L

## JAGUAR / LAND ROVER CRANKSHAFT HOLDING TOOL



- This tool holds the crankshaft pulley while installing or removing the crankshaft bolt.
- **Application:**
  - 2014-2016 Jaguar-F-Type,
  - 2016 Jaguar –XE,
  - 2010-2016 Jaguar-XF,
  - 2010-2016 Jaguar-XJ,
  - 2010-2015 Jaguar-XK,
  - 2010-2016 Land Rover- LR4,
  - 2010-2016 Land Rover- Range Rover,
  - 2010-2016 Land Rover- Range Rover Sport,
- **OEM Equiv:** 303-1437