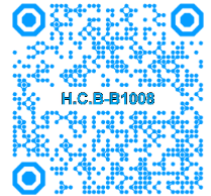


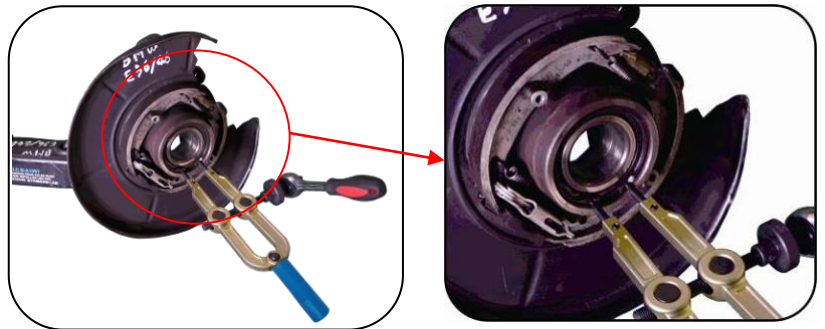
ET1008B

UNIVERSAL AXLE WHEEL BEARING REMOVAL / INSTALLATION TOOL KIT **PAT. 201280 USA PAT.**

VIDEO



Optional : ET1641A



● Function

- A great tool for replacing the wheel bearings without removing the steering knuckle & strut assembly.
- Because the spindle assembly isn't removed, there is no need to align front end after the job is done. It is time saver.
- Application: MERCEDES-BENZ ML (W163), MERCEDES-BENZ (W140), BMW (E39) , BMW (E36/E46) ,VW TOUAREG, VW GOLF, VW A4, TOYOTA, MARCH, FORD, VOLVO.....etc.

Specification:

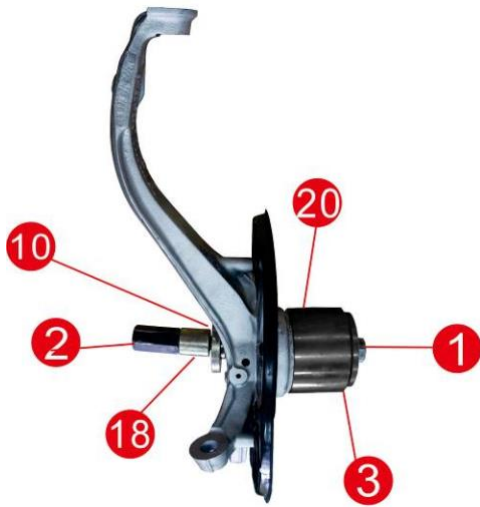


No.	Item	Dimension	Q'ty	Remark
1	Stud	7/8" x 9UNC x 260L	1	H32
2	Nut	H32 x 64L	1	7/8"x9UNC
3	Removing/installing bearing front base	D: ϕ 102 x 26L	1	d: ϕ 22.5
4	Removing pipe	D: ϕ 102 x 69L	1	d: ϕ 91.2
5	Removing pipe	D: ϕ 91 x 68L	1	d: ϕ 81.8
6	Removing/installing bearing front base	D: ϕ 86 x 26L	1	d: ϕ 22.5
7	Removing pipe	D: ϕ 85.8 x 68L	1	d: ϕ 77.55
8	Removing pipe	D: ϕ 76.6 x 68L	1	d: ϕ 69
9	Removing/installing block	D: ϕ 88 x 19L	1	d: ϕ 22.5
10	Removing/installing block	D: ϕ 79 x 17.5L	1	d: ϕ 22.5
11	Removing/installing block	D: ϕ 74 x 17.5L	1	d: ϕ 22.5
12	Removing/installing block	D: ϕ 72 x 17.5L	1	d: ϕ 22.5
13	Removing/installing block	D: ϕ 66.7 x 17.5L	1	d: ϕ 22.5
14	Removing/installing block	D: ϕ 65 x 17.5L	1	d: ϕ 22.5
15	Removing/installing block	D: ϕ 62 x 17.5L	1	d: ϕ 22.5
16	Removing/installing block	D: ϕ 60 x 17.5L	1	d: ϕ 22.5
17	Removing/installing block	D: ϕ 55 x 17L	1	d: ϕ 22.5
18	Removing/installing extended block	D: ϕ 38x40L	1	d: ϕ 22.5
19	Removing/installing block	D: ϕ 95.5 x19L	1	d: ϕ 22.5
20	Removing pipe	D: ϕ 115x76L	1	d: ϕ 93
21	Removing/installing block	D: ϕ 83.55x19L	1	d: ϕ 22.5
22	Removing pipe	D: ϕ 96x60L	1	d: ϕ 82
23	Screw	H17 x M12 x P1.5 x 103L	3	ϕ 8 steel ball at front end
24	Screw	H17 x M14 x P1.5 x 103L	3	ϕ 8 steel ball at front end
25	Screw	H17 x M14 x P1.25 x 103L	3	ϕ 8 steel ball at front end

● **Instructions:**

VW TOUAREG Bearing Removal

(Bearing D: ψ 96 d: ψ 51 L: 50 mm)

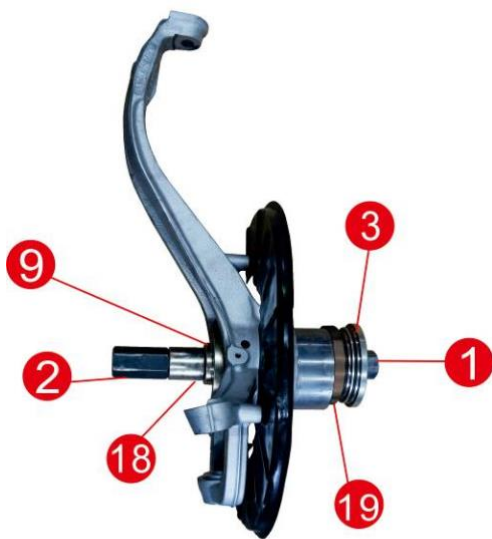


popping out.

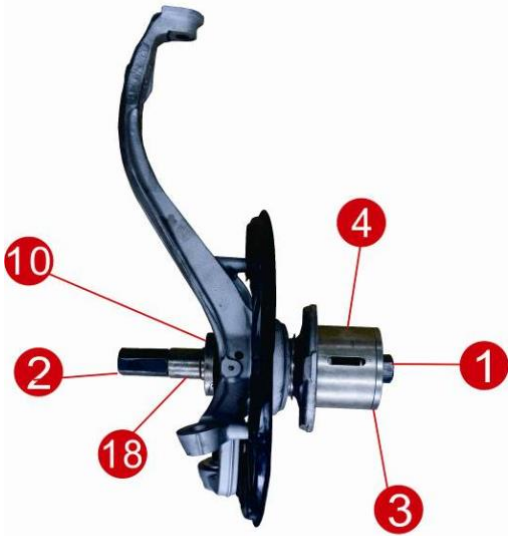
- Bearing removal requires No. 1, 2, 3, 10, 18, 20 tools.
 1. Insert No.1 through the No.10 & 20 tools, on the other side through No. 3 tool. And screw NO.2 &18 tools onto the bottom of No.1 tool.
 2. Use a wrench (size: 32 mm) to hold the No.2 tool, and operate the air power tool until complete the removal of the bearing.
- Note:
 1. When removing the bearing, please use a wrench (size: 32 mm) to hold the No.2 tool to prevent the tools from

VW TOUAREG Bearing Installation

- Bearing installation requires No. 1, 2, 3, 9, 18, 19 tools.
 1. Insert No.1 through the No.3 & 19 tools, on the other side through No. 9 tool. And screw NO.2 &18 tools onto the bottom of No.1.
 2. Use a wrench (size: 32 mm) to hold the No.2 tool, and operate the air power tool until complete the installation of the bearing.
- Note:
 1. When installing, operating tool No.9 on a flat surface is needed.
 2. When installing the bearing, please use a wrench (size: 32 mm) to hold the No.2 tool to prevent the tools from popping out.
 3. When installing the bearing, please use hand tool to align the position. After confirming the bearing is in the right position, use the air power tool to installing it.



VW TOUAREG Axle Installation



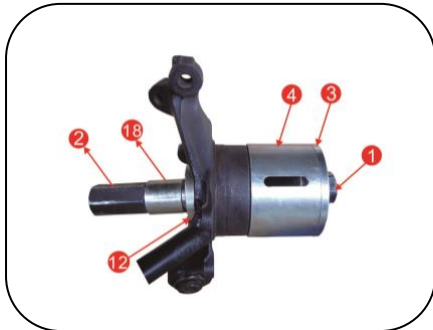
- Axle installation requires No. 1, 2, 3, 4, 10, 18 tools.
 1. Insert No.1 through the No.3 & 4 tools, on the other side through No. 10 tool. And screw NO.2 &18 tools onto the bottom of No.1 tool.
 2. Use a wrench (size: 32 mm) to hold the No.2 tool, and operate the air power tool until complete the installation of the bearing.

■ Note:

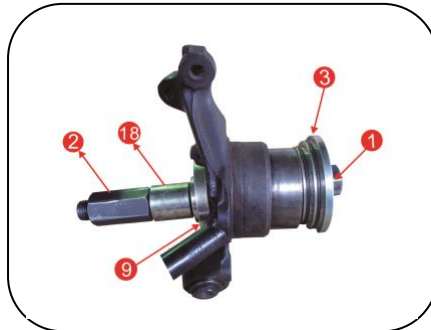
1. When installing, operating tool No.10 on a flat surface is needed.
2. When installing the axle, please use a wrench (size: 32 mm) to hold the No.2 tool to prevent the tools for popping out.
3. When installing the bearing, please use hand tool to align the position. After confirming the bearing is in the right position, use the air power tool to installing.

Benz W140 Bearing Removal / Installation& Axle Installation

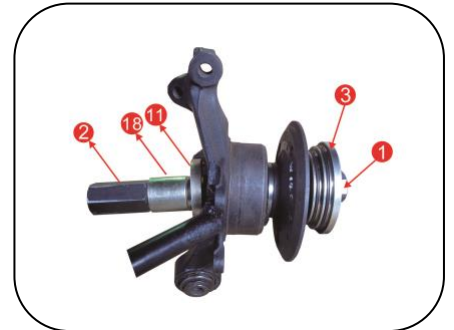
(Bearing D: φ 84 d: φ 45 L: 39 mm)



Benz W140
Bearing Removal



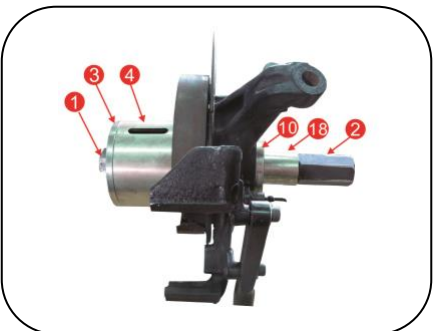
Benz W140
Bearing Installation



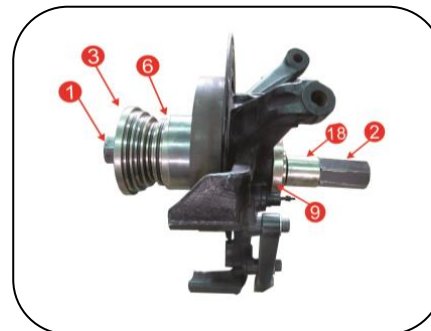
Benz W140
Axle Installation

Benz W163 Bearing Removal / Installation& Axle Installation

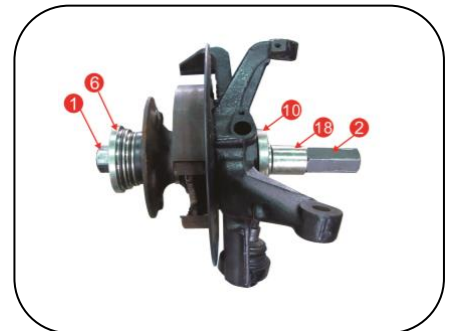
(Bearing D: φ 88 d: φ 49 L: 46 mm)



Benz W163
Bearing Removal

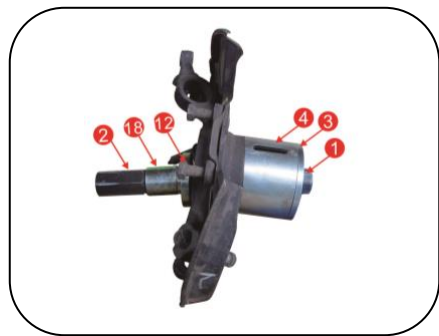


Benz W163
Bearing Installation



Benz W163
Axle Installation

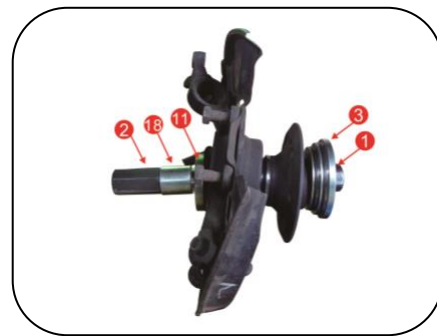
Benz W124 Bearing Removal / Installation & Axle Installation
(Bearing D: \varnothing 88 d: \varnothing 49 L: 46 mm)



Benz W124
Bearing Installation



Benz W124
Bearing Installation

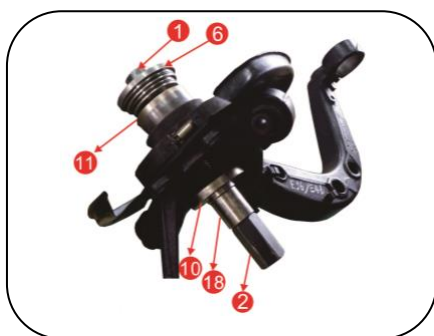


Benz W124
Axle Installation

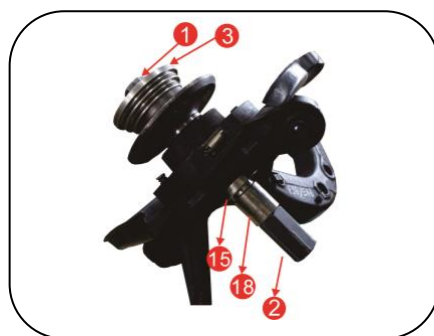
BMW E36/E46 Bearing Removal / Installation & Axle Installation
(Bearing D: \varnothing 75 d: \varnothing 42 L: 37 mm)



BMW E36/E46
Bearing Removal



BMW E36/E46
Bearing Installation



BMW E36/E46
Axle Installation

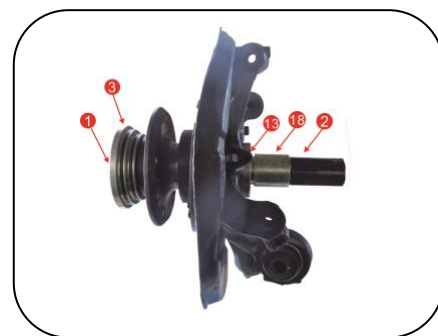
BMW E90 Bearing Removal / Installation & Axle Installation
(Bearing D: \varnothing 75 d: \varnothing 42 L: 27 mm)



BMW E90
Bearing Removal

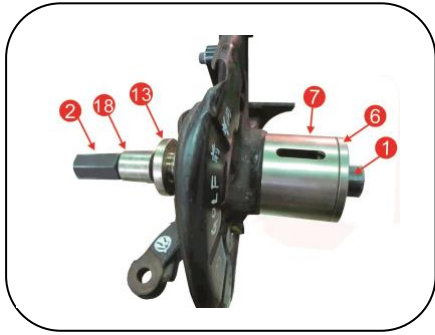


BMW E90
Bearing Installation

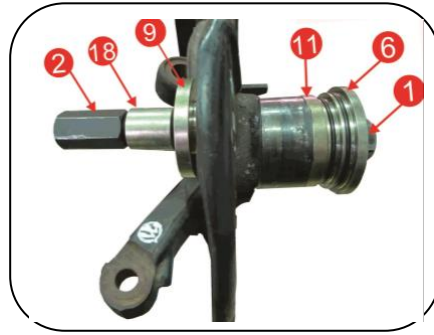


BMW E90
Axle Installation

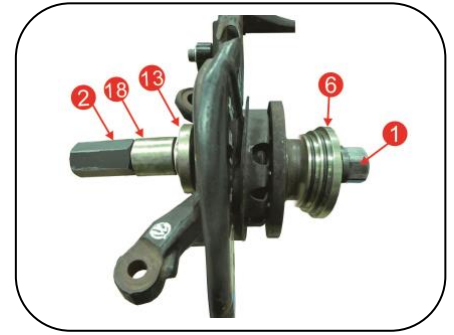
VW GOLF front axles Bearing Removal / Installation & Axle Installation
(Bearing D: \varnothing 74 d: \varnothing 40 L: 40 mm)



VW GOLF
Bearing Removal



VW GOLF
Bearing Installation



VW GOLF
Axle Installation

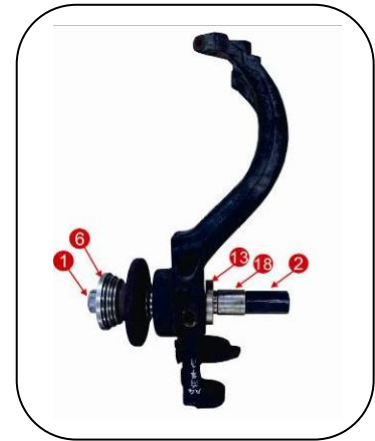
VW A4 front axles Bearing Removal / Installation & Axle Installation
(Bearing D: \varnothing 75 d: \varnothing 39 L: 37 mm)



VW A4
Bearing Removal



VW A4
Bearing Installation



VW A4
Axle Installation

- ET1008B-21 & ET1008B-22 is suitable for TOYOTA CAMRY.
- ET1008B-23~25 is used to remove the hub.

