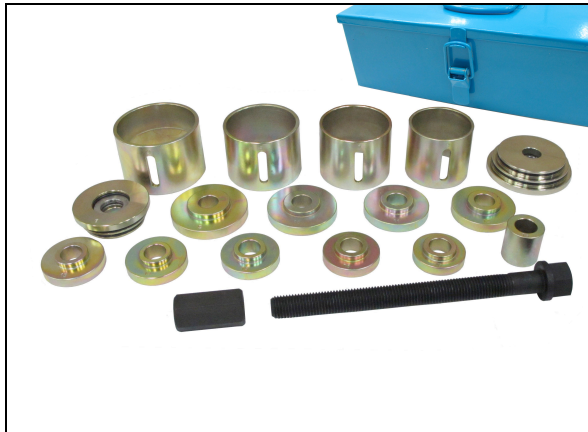


ET1008A-1

MERCEDES AXLES WHEEL BEARING REMOVAL / INSTALLATION TOOL KIT **PAT. 201280 USA PAT.**



TOOL



STEP 1: EXTRACT AXLE HUB



STEP 2



STEP 3: BEARING EXTRACT



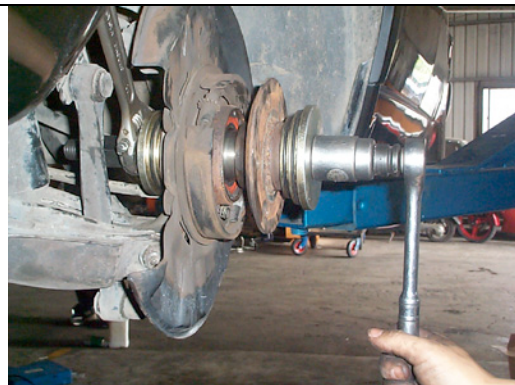
STEP 4: BEARING INSTALL



BEARING INSTALL COMPLETE



HUB INSTALL STEP 1

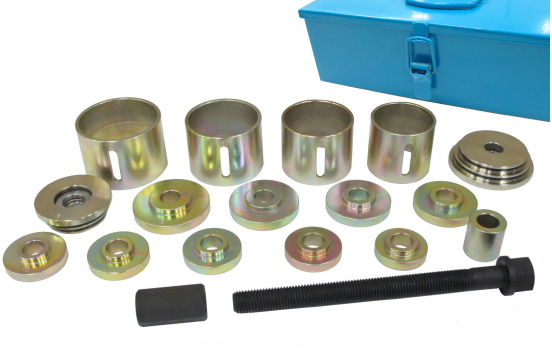
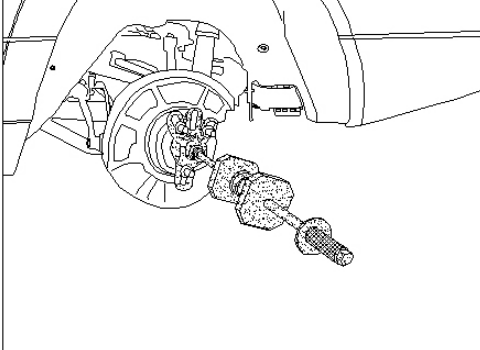
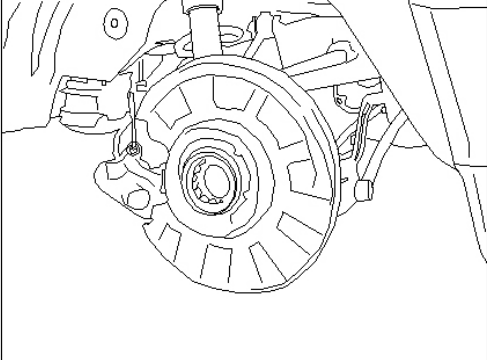
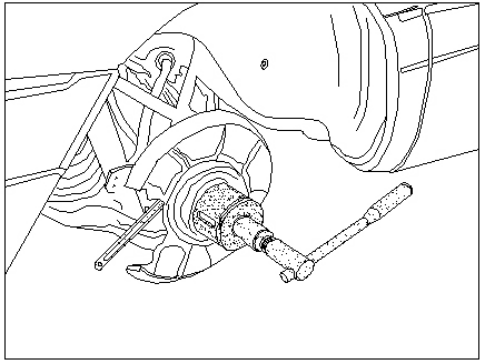
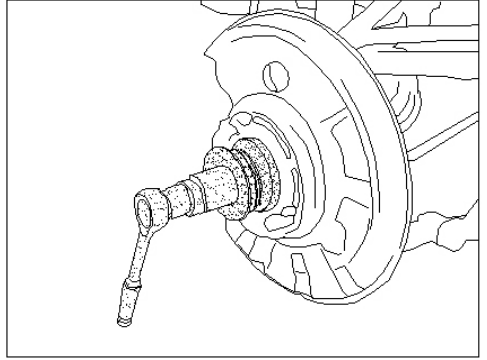
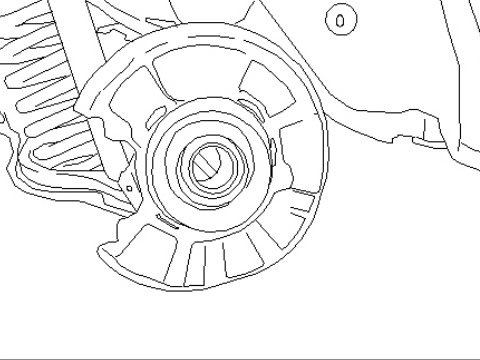
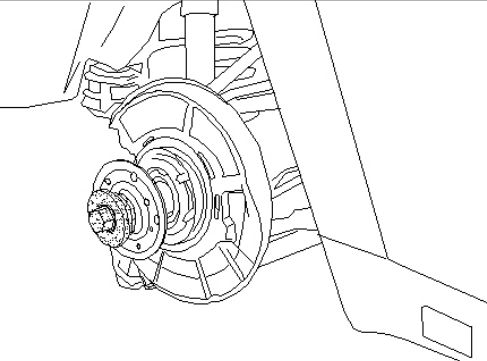
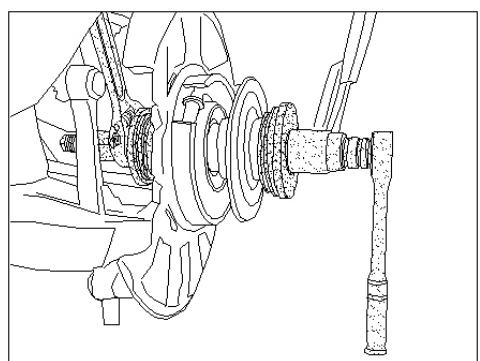


HUB INSTALL STEP 2

ET1008A-1

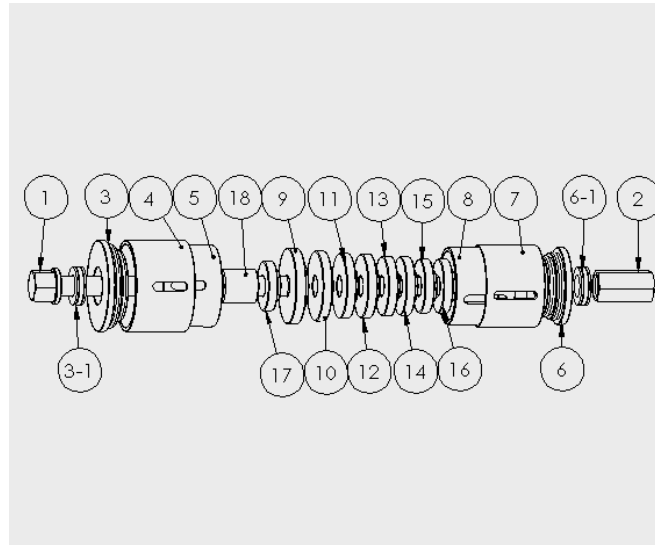
MERCEDES AXLES WHEEL BEARING REMOVAL / INSTALLATION TOOL KIT PAT. 201280 USA PAT.

APPLICATION: MERCEDES BENZ, BMW, TOYOTA, VW, MARCH, FORD, VOLVO.

	
TOOL	STEP 1: EXTRACT AXLE HUB
	
STEP 2	STEP 3: BEARING EXTRACT
	
STEP 4: BEARING INSTALL	BEARING INSTALL COMPLETE
	
HUB INSTALL STEP 1	HUB INSTALL STEP2

ET1008A-1

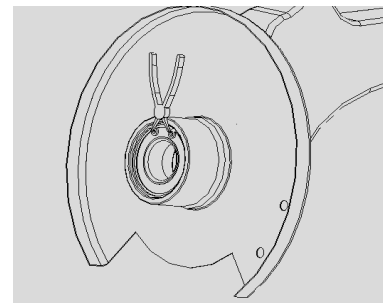
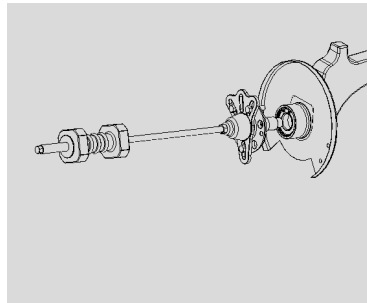
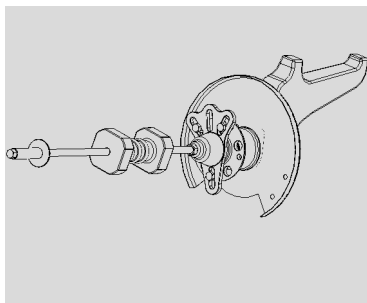
MERCEDES AXLES WHEEL BEARING REMOVAL / INSTALLATION TOOL KIT **PAT. 201280 USA PAT.**



(1)

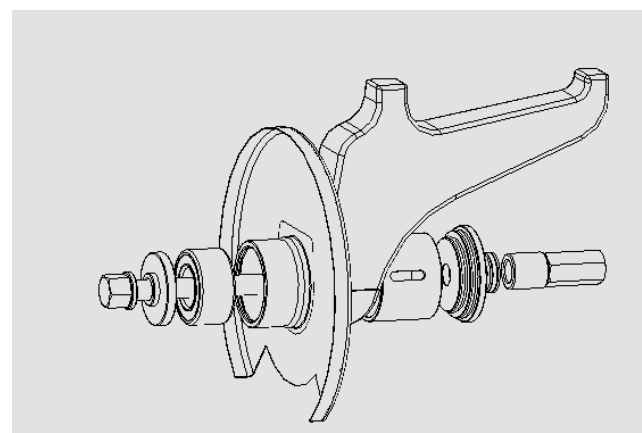
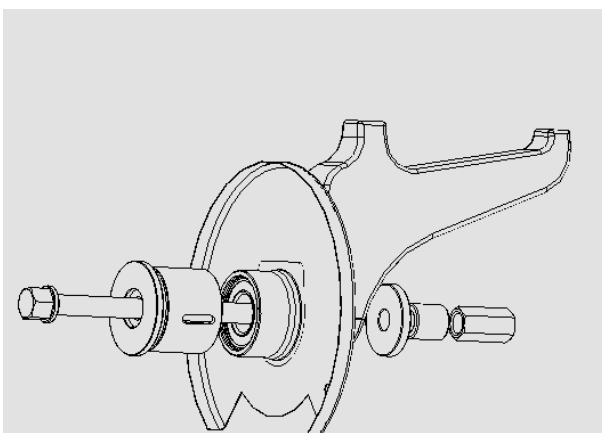
(2)

(3)



(4) **EXTRACT**

(5) **INSTALL**



- A great tool can be used in replace wheel bearings without removing the steering knuckle & strut assembly.
- As the spindle assembly isn't removed, there is no need to align front end after the job is done. It is time saver.
- Applicable: MERCEDES-BENZ, BMW, TOYOTA, VW, MARCH, FORD, VOLVO...etc.