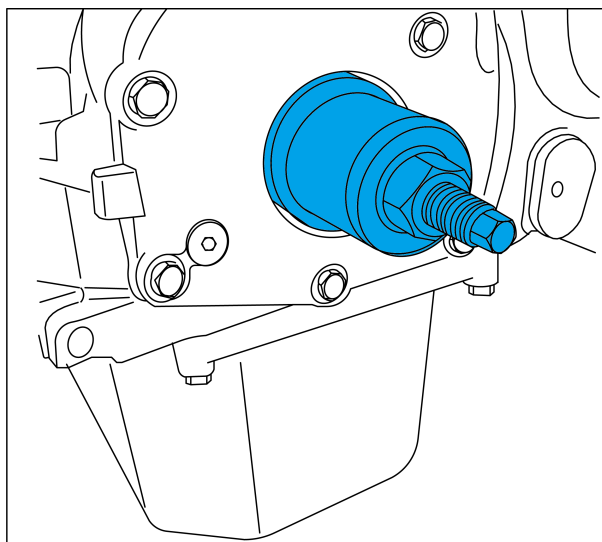
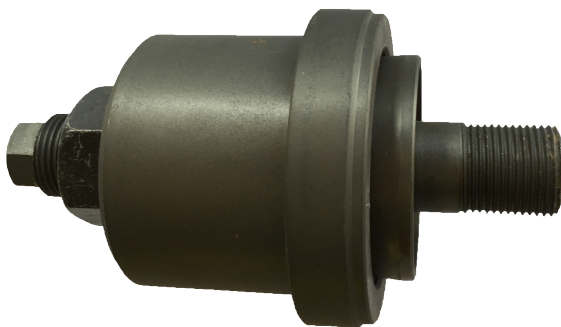


ET1005IV

IVECO/ FUSO CRANKSHAFT FRONT OIL SEAL INSTALLATION TOOL



- The tool is designed for crankshaft front oil seal installation and timing cover centering.
- Applications: IVECO F1C ENGINE / FUSO LIFT CARS (EURO 5)
- Model: DAILY
- IVECO OEM Equiv: 99346258
- FUSO OEM Equiv: MH063962