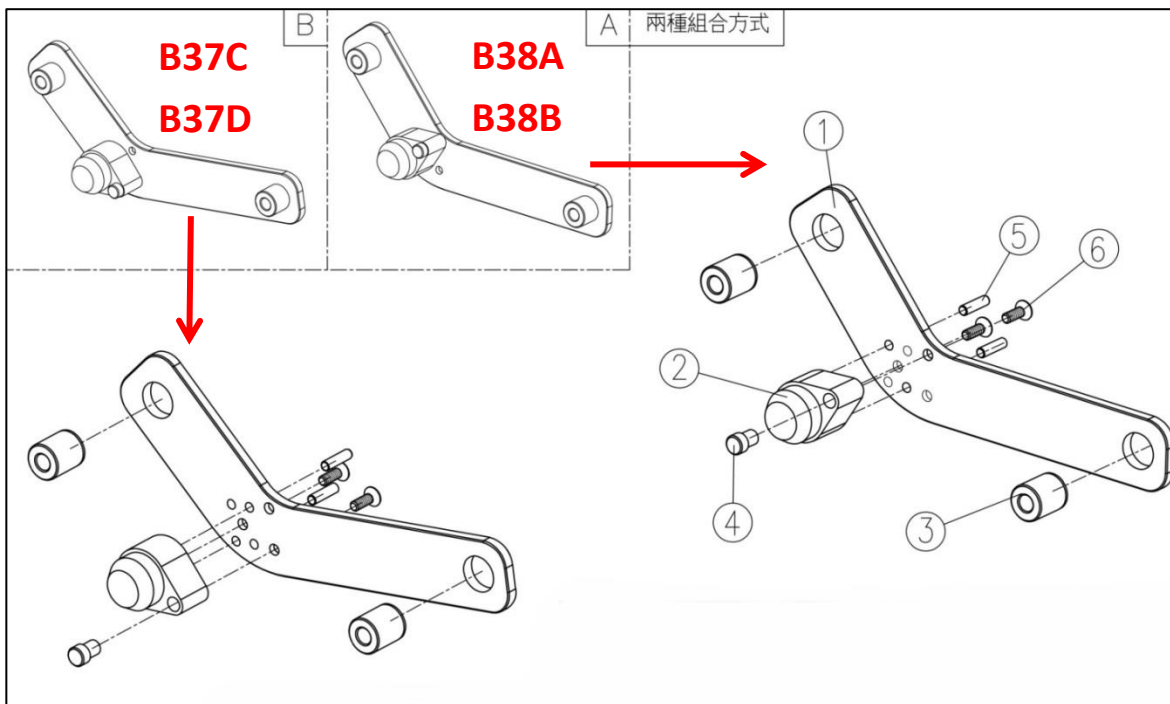
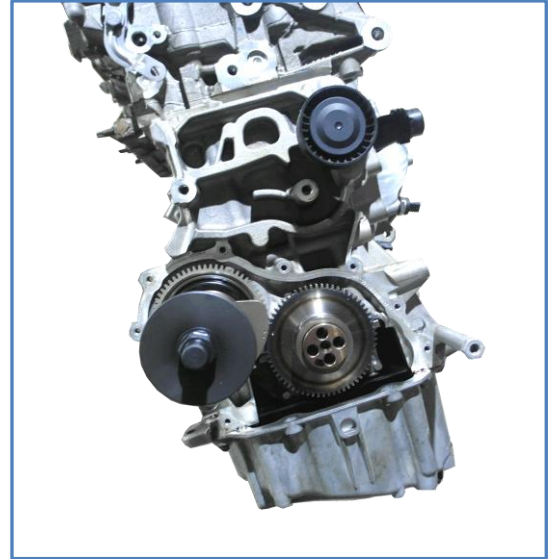
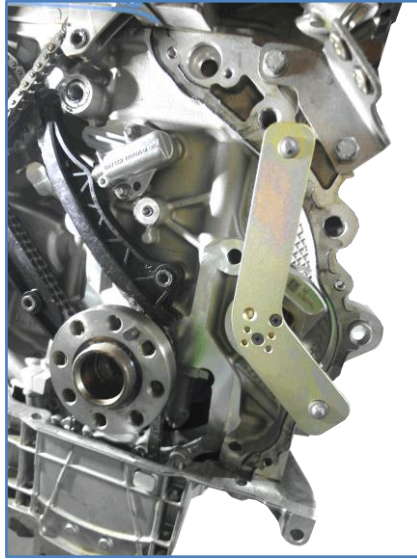


ET0120A

COUNTERBALANCE SHAFT ALIGNMENT TOOL- BMW (B37/B38) **PAT.PEN.**



FEATURES:

◎For positioning the counterbalance shaft .

◎Applications :

1,2L, 1,5L Petrol (B38A12A, B38B15A, B38K15A)

1,5L Diesel (B37D15A, B37C15A)

Model:

1 series : F20/F21

2 series : F22/F23/F45/F46

3 series : F30/F31

i8I12

X1 F48

Mini F54/F55/F56/F57

◎OEM NO. : 2358646 ,2288942 ,2288943