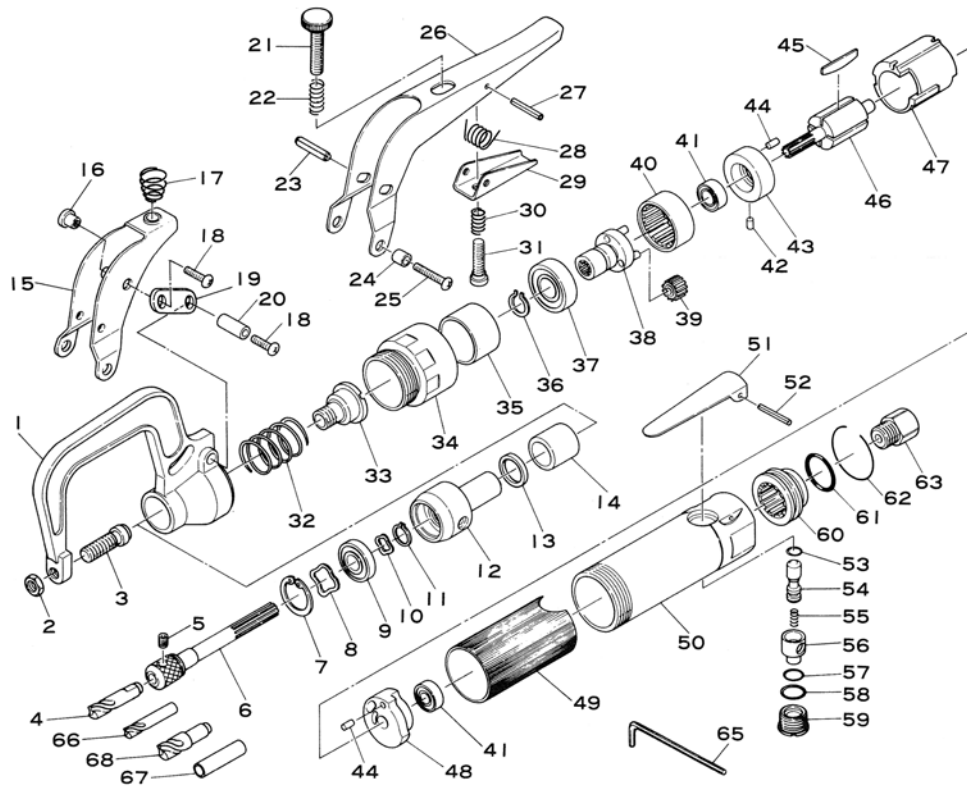


E5800

Spot Mill



| Ref. No. | Parts No. | Description | Q'ty | Ref. No. | Parts No. | Description | Q'ty |
|----------|------------|-----------------------|------|----------|-----------|---|------|
| 1 | 271-1 | Arm | 1 | 35 | 271-12 | Collar | 1 |
| 2 | N1-M60 | Nut | 1 | 36 | JS-15 | Retaining Ring | 1 |
| 3 | 271-22 | Adjust Screw | 1 | 37 | 6002-LLU | Ball Bearing | 1 |
| 4 | 271-17 | 8 φ mm Milling Cutter | 1 | 38 | 271-9 | Reduction Spindle incl. Planet Pins (300-21x3) | 1 |
| 5 | ROM50-50 | Set Screw | 1 | 39 | 217-12 | Planet Gear incl. Bush (217-33) | 3 |
| 6 | 271-13 | Spindle | 1 | 40 | 217-10 | Internal Gear | 1 |
| 7 | JO-26 | Retaining Ring | 1 | 41 | 626 | Ball Bearing | 2 |
| 8 | BWW-629 | Wave Washer | 1 | 42 | 25-4 | Roll Pin (2.5-4mm) | 1 |
| 9 | 6000-LLUC2 | Ball Bearing | 1 | 43 | 502C-14 | Front Plate | 1 |
| 10 | WW-100 | Wave Washer | 1 | 44 | 25-5 | Roll Pin (2.5-5mm) | 2 |
| 11 | JS-10 | Retaining Ring | 1 | 45 | 350-16 | Rotor Blade | 4 |
| 12 | 271-5 | Thrust Sleeve | 1 | 46 | 271-7 | Rotor | 1 |
| 13 | 485A-11 | Felt Ring | 1 | 47 | 220-13 | Cylinder | 1 |
| 14 | 271-6 | Collar | 1 | 48 | 620-9 | Rear Plate | 1 |
| 15 | 271-21 | Sub Lever | 1 | 49 | 271-18 | Housing Cover | 1 |
| 16 | 271-15 | Flange Collar | 2 | 50 | 271-23 | Motor Housing incl. Valve Bush, Regulator -Ring, Ret. Ring (350-4, 271-27, CSTW-18) | 1 |
| 17 | 271-69 | Spring | 1 | 51 | 350-2 | Throttle Lever | 1 |
| 18 | 271-49 | Screw | 4 | 52 | 30-24 | Roll Pin (3-24mm) | 1 |
| 19 | 271-4 | Link | 2 | 53 | P-5 | O-Ring | 1 |
| 20 | 271-14 | Collar | 1 | 54 | 350-5 | Valve Stem | 1 |
| 21 | 271-50 | Adjust Dial | 1 | 55 | 350-7 | Valve Spring | 1 |
| 22 | 271-64 | Adjust Spring | 1 | 56 | 350-8 | Air Regulator | 1 |
| 23 | 50-25 | Roll Pin (5-25mm) | 1 | 57 | P-8 | O-Ring | 1 |
| 24 | 271-16 | Collar | 2 | 58 | P-11 | O-Ring | 1 |
| 25 | 271-48 | Screw | 2 | 59 | 350-10 | Valve Screw | 1 |
| 26 | 271-2 | Main Lever | 1 | 60 | 620-18 | Deflector | 1 |
| 27 | 40-25 | Roll Pin (4-25mm) | 1 | 61 | 620-28 | O-Ring | 1 |
| 28 | 271-20 | Spring | 1 | 62 | 620-30 | Retaining Ring | 1 |
| 29 | 271-3 | Push Lever | 1 | 63 | 180-1SC | Inlet Bushing incl. Screen (680-28A) | 1 |
| 30 | 271-65 | Adjust Spring | 1 | 65 | WRA-2.5 | 2.5mm Allen Wrench | 1 |
| 31 | 271-51 | Adjust Screw | 1 | ◆66 | 271-70 | 6.5 φ mm Milling Cutter | |
| 32 | 271-19 | Spring | 1 | 67 | 271-71 | Sleeve for 6.5 φ mm Milling Cutter | 1 |
| 33 | 271-68 | Stopper | 1 | ◆68 | 271-72 | 10 φ mm Milling Cutter | |
| 34 | 271-8 | Lock Ring | 1 | | | | |

◆Option