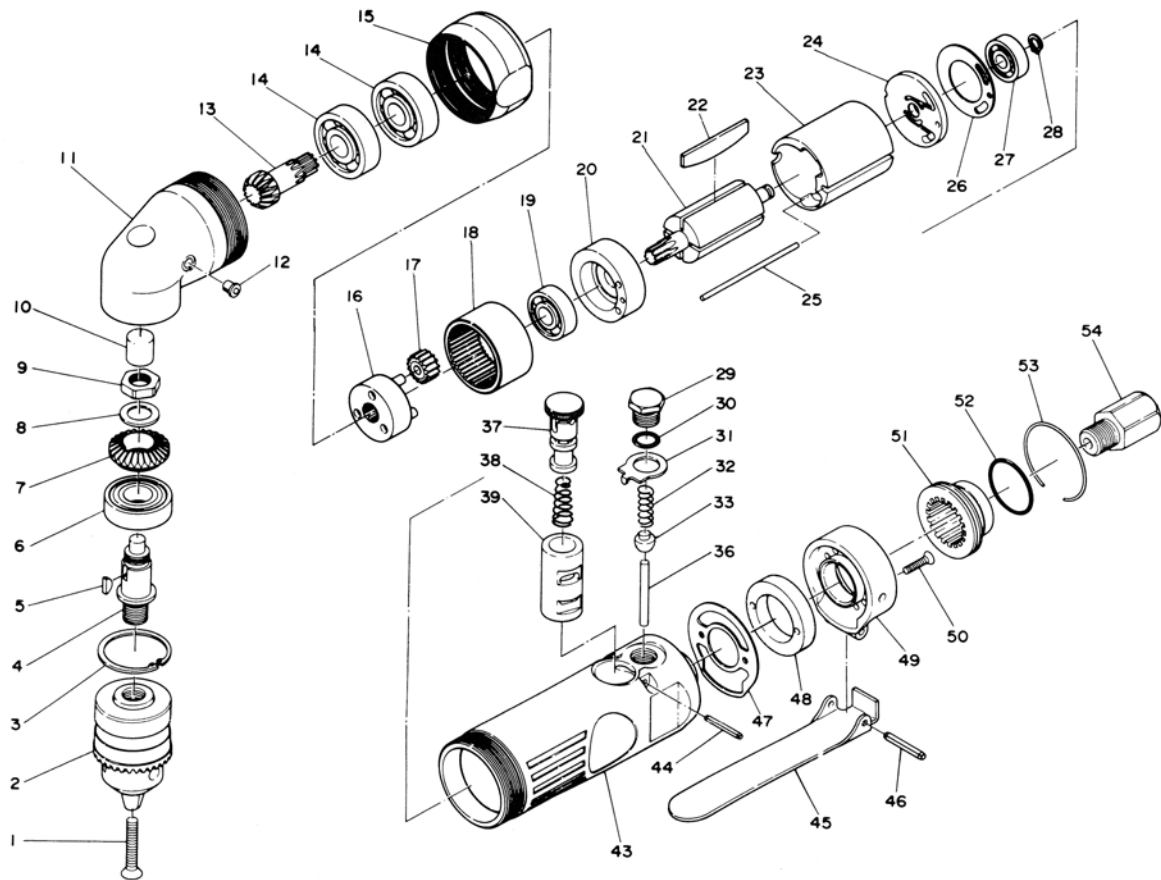


# E5355

## 3/8" Angle Drill



| Ref. No. | Parts No. | Description                              | Q'ty | Ref. No. | Parts No. | Description                           | Q'ty |
|----------|-----------|--|------|----------|-----------|---------------------------------------|------|
| 1        | 988-49    | Chuck Screw                              | 1    | 27       | 626       | Ball Bearing                          | 1    |
| 2        | 22BA      | 3/8" Drill Chuck w/Handle KK             | 1    | 28       | JS-6      | Retaining Ring                        | 1    |
| 3        | JO-28     | Retaining Ring                           | 1    | 29       | 985-39    | Valve Screw                           | 1    |
| 4        | 988-6     | Spindle                                  | 1    | 30       | P-8       | O-Ring                                | 1    |
| 5        | 988-8     | Key                                      | 1    | 31       | 985-15    | Reverse Retainer                      | 1    |
| 6        | 6001-ZZC2 | Ball Bearing                             | 1    | 32       | 450-24    | Valve Spring                          | 1    |
| 7        | 988-2     | Bevel Gear                               | 1    | 33       | 930B-12B  | Valve                                 | 1    |
| 8        | 988-9     | Washer                                   | 1    | 36       | 985-3     | Valve Pin                             | 1    |
| 9        | 988-7     | Nut                                      | 1    | 37       | 985-5     | Reverse Valve                         | 1    |
| 10       | KE-45     | Needle Bearing                           | 1    | 38       | 985-14    | Reverse Spring                        | 1    |
| 11       | 988-3     | Angle Head                               | 1    | 39       | 985-6     | Reverse Valve Bush                    | 1    |
| 12       | 115-1     | Grease Plug                              | 1    | 43       | 988-12    | Motor Housing incl. Bush (985-17)     | 1    |
| 13       | 988-1     | Pinion Gear                              | 1    | 44       | 25-20     | Roll Pin (2.5-20mm)                   | 1    |
| 14       | 6200      | Ball Bearing                             | 2    | 45       | 985-2     | Throttle Lever                        | 1    |
| 15       | 988-11    | Lock Ring                                | 1    | 46       | 30-24     | Roll Pin (3-24mm)                     | 1    |
| 16       | 301-2     | Planet Cage incl. Planet Pins (300-21x3) | 1    | 47       | 985-13    | Gasket                                | 1    |
| 17       | 300-13    | Planet Gear                              | 3    | 48       | 985-41    | Muffler                               | 1    |
| 18       | 988-10    | Internal Gear                            | 1    | 49       | 985-12    | Housing Cap                           | 1    |
| 19       | 608       | Ball Bearing                             | 1    | 50       | E-M30-120 | Screw                                 | 2    |
| 20       | 988-4     | Front Plate                              | 1    | 51       | 620-18    | Deflector                             | 1    |
| 21       | 988-5     | Rotor                                    | 1    | 52       | 620-28    | O-Ring                                | 1    |
| 22       | 350-16    | Rotor Blade                              | 4    | 53       | 620-30    | Retaining Ring                        | 1    |
| 23       | 217-15    | Cylinder                                 | 1    | 54       | 985-10SC  | Inlet Bushing incl. Screen (680-28A)  | 1    |
| 24       | 217-14    | End Plate                                | 1    | *55      | KK        | Chuck Handle for 22BA, SM8K61 & 31902 | 1    |
| 25       | 200-34    | Cylinder Pin                             | 1    | *◆56     | 30221     | 3/8" Cap. Keyless Chuck (3/8" Thd.)   |      |
| 26       | 217-32    | Motor Gasket                             | 1    |          |           |                                       |      |

\* Not Shown  
◆ Option

Printed in Japan  
★★★★★ Nov. 2000