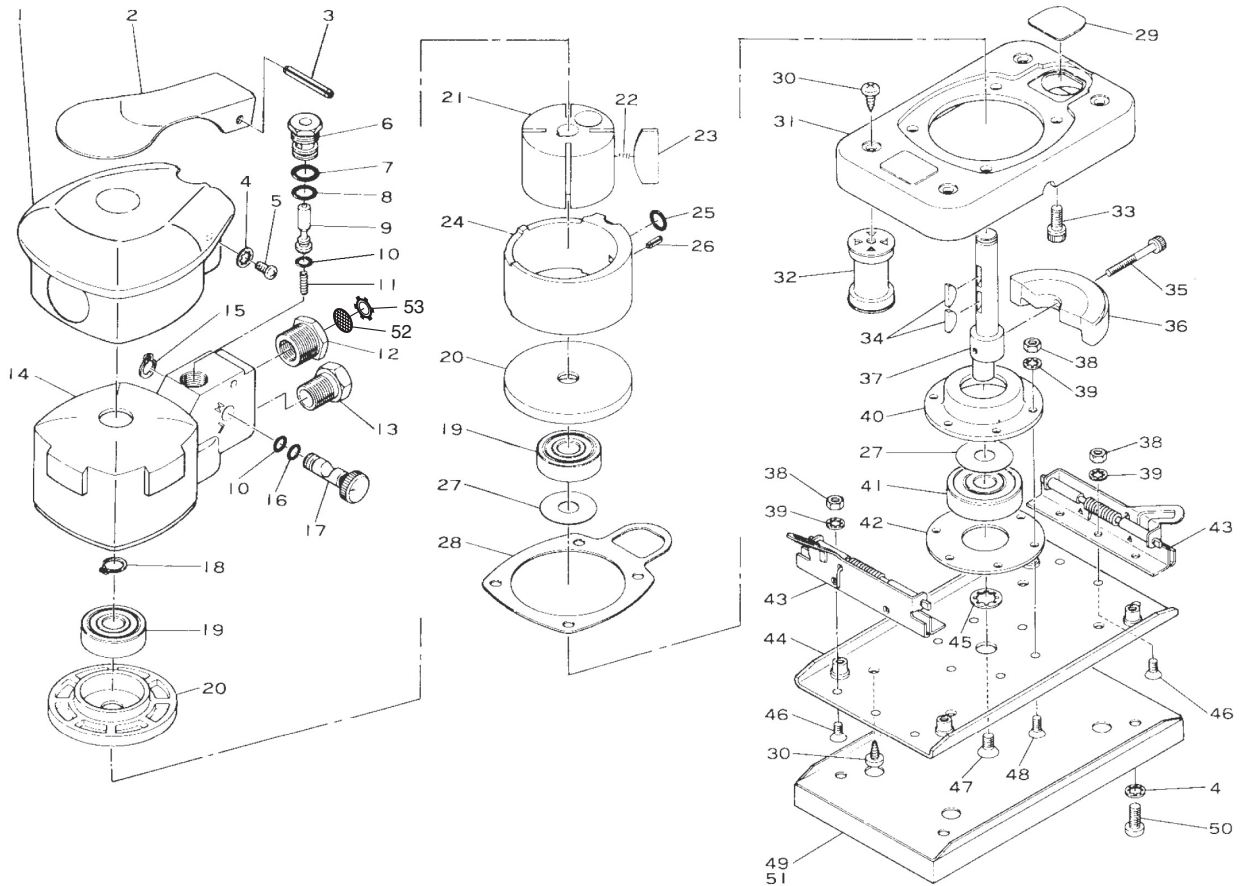


# E3007 Orbital Sander



| Ref. No. | Parts No. | Description                           | Q'ty | Ref. No. | Parts No. | Description                      | Q'ty |
|----------|-----------|---------------------------------------|------|----------|-----------|----------------------------------|------|
| 1        | 570-26R   | Housing Cover                         | 1    | 28       | 570-38    | Gasket                           | 1    |
| 2        | 476-45    | Throttle Lever                        | 1    | 29       | 570-53    | Plug Plate                       | 1    |
| 3        | 40-30     | Roll Pin (4ø-30mm)                    | 1    | 30       | JIM50-100 | Screw                            | 8    |
| 4        | AT-50     | Washer                                | 6    | 31       | 575-15    | Basement                         | 1    |
| 5        | JBM40-100 | Screw                                 | 2    | 32       | 640-48    | Rubber Support                   | 4    |
| 6        | 485-5     | Valve Body                            | 1    | 33       | Z-M50-120 | Cap Screw                        | 4    |
| 7        | S-10      | O-Ring                                | 1    | 34       | 480-23    | Key                              | 2    |
| 8        | P-9       | O-Ring                                | 1    | 35       | Z-M40-300 | Cap Screw                        | 1    |
| 9        | 485-1     | Valve Stem                            | 1    | 36       | 475-18    | Lower Weight                     | 1    |
| 10       | P-4       | O-Ring                                | 2    | 37       | 475-12    | Crank Shaft                      | 1    |
| 11       | 350-7     | Valve Spring                          | 1    | 38       | N1-M40    | Nut                              | 12   |
| 12       | 670-22    | Inlet Bushing                         | 1    | 39       | AT-40     | Washer                           | 12   |
| 13       | 680-11    | Exhaust Bushing incl. Collar (650-29) | 1    | 40       | 475-20    | Shoe Bearing Housing             | 1    |
| 14       | 570-52    | Motor Housing                         | 1    | 41       | 6300LLU   | Ball Bearing                     | 1    |
| 15       | IS-8      | Retaining Ring                        | 1    | 42       | 475-24    | Spacer                           | 1    |
| 16       | P-5       | O-Ring                                | 1    | 43       | 475-23    | Paper Clip                       | 2    |
| 17       | 485-4     | Air Regulator                         | 1    | 44       | 477-20A   | Shoe incl. Nuts (477-50x4)       | 1    |
| 18       | JS-10     | Retaining Ring                        | 1    | 45       | AT-70     | Washer                           | 1    |
| 19       | 6200ZZ    | Ball Bearing                          | 2    | 46       | E-M40-80  | Screw                            | 6    |
| 20       | 640-12TB  | End Plate                             | 2    | 47       | E-M50-100 | Screw                            | 1    |
| 21       | 475-6TS   | Rotor                                 | 1    | 48       | E-M40-100 | Screw                            | 6    |
| 22       | 490-1     | Blade Spring                          | 2    | 49       | P-3007    | Leather Pad incl. Plate (477-44) | 1    |
| 23       | 470-9     | Rotor Blade                           | 4    | 50       | A-M50-100 | Screw                            | 4    |
| 24       | 640-1     | Cylinder                              | 1    | ★ 51     | M-3007    | Velcro Pad incl. Plate (477-44)  | 1    |
| 25       | P-7       | O-Ring                                | 1    | 52       | 680-28A   | Screen                           | 1    |
| 26       | 30-8      | Roll Pin (3ø-8mm)                     | 1    | 53       | CRTW-12   | Retainer                         | 1    |
| 27       | 481-10    | Spacer (Brass)                        | 2    |          |           |                                  |      |