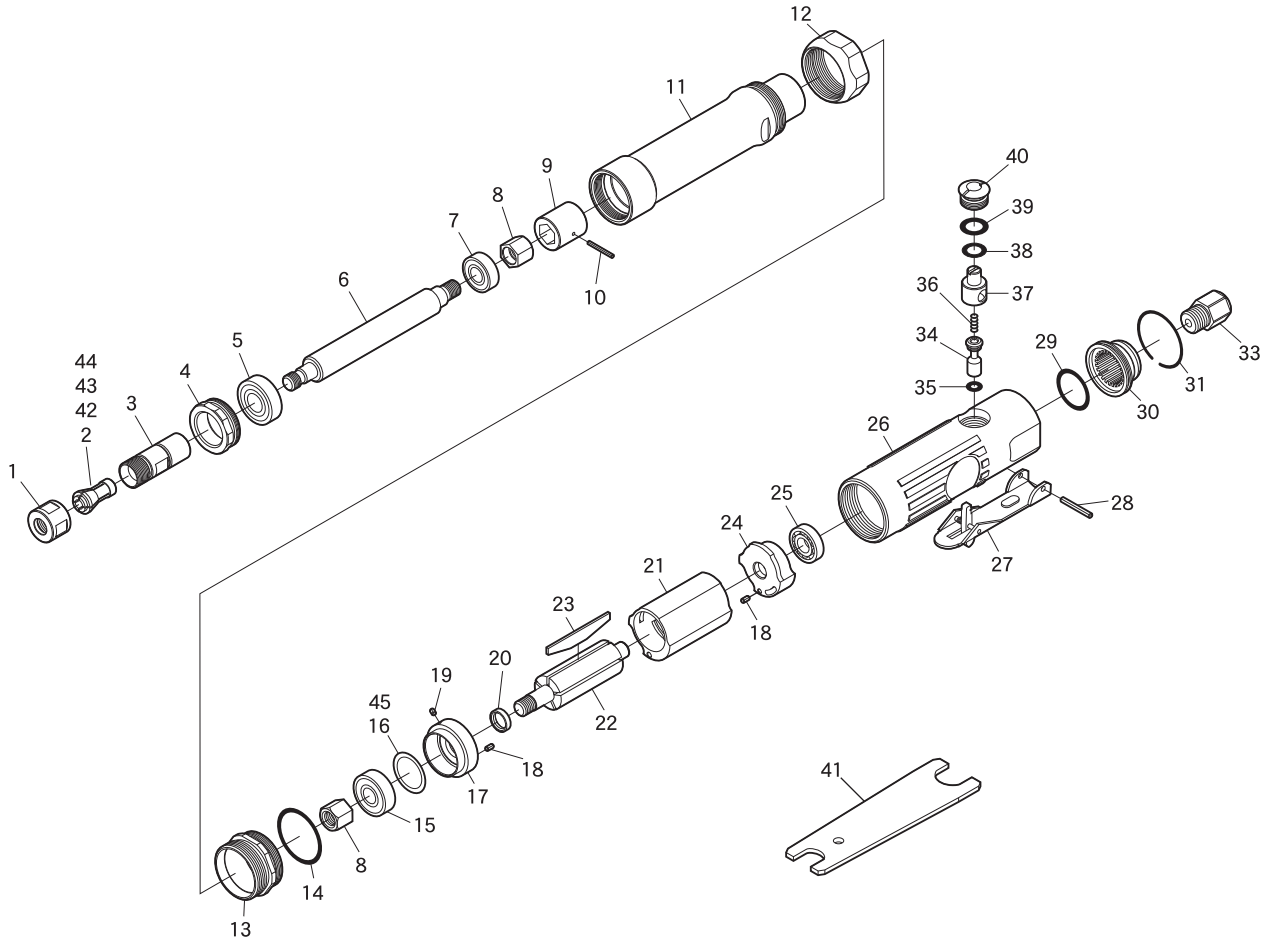




E2022S EXTENDED DIE GRINDER



Ref. No.	Parts No.	Description	Q'ty	Ref. No.	Parts No.	Description	Q'ty
1	350-23	Collet Nut	1	23	130-5	Rotor Blade	5
2	330-24	1/4" Collet (Standard)	1	24	133-4A	Rear Plate	1
3	130-15	Spindle	1	25	EE-3	Ball Bearing	1
4	132-8	Spindle Nut	1	26	133-1	Motor Housing incl. Valve Bush (350-4)	1
5	6001-ZZ	Ball Bearing	1	27	350-2L	Throttle Lever	1
6	132-7	Extension Shaft	1	28	30-24	Roll Pin (3ø-24mm)	1
7	EE-3-ZZ	Ball Bearing	1	29	620-28	O-Ring	1
8	132-16	Drive Nut	2	30	620-18	Deflector	1
9	132-39	Coupling	1	31	620-30	Retaining Ring	1
10	20-20	Roll Pin (2ø-20mm)	1	33	180-1SC	Inlet Bushing incl. Screen (680-28A) & Retainer (CRTW-12)	1
11	132-6	Extension Housing	1	34	350-5	Valve Stem	1
12	132-14	Coupling Nut	1	35	P-5	O-Ring	1
13	132-15	Motor Clamp Nut	1	36	350-7	Valve Spring	1
14	982-31	O-Ring	1	37	350-8A	Air Regulator	1
15	6000-ZZ	Ball Bearing	1	38	P-8	O-Ring	1
16	350-20	Shim (0.03mm)	1	39	P-11	O-Ring	1
17	133-16A	Front Plate	1	40	350-10	Valve Screw	1
18	25-5	Roll Pin (2.5ø-5mm)	2	41	350-28	Spanner Wrench (14x19mm)	2
19	25-3.5	Roll Pin (2.5ø-3.5mm)	1	◆ 42	330-25	1/8" Collet	
20	350-18	Collar	1	◆ 43	330-26	3mm Collet	
21	130-2A	Cylinder	1	◆ 44	330-19	6mm Collet	
22	130-3	Rotor	1	◆ 45	350-29	Shim (0.05mm)	