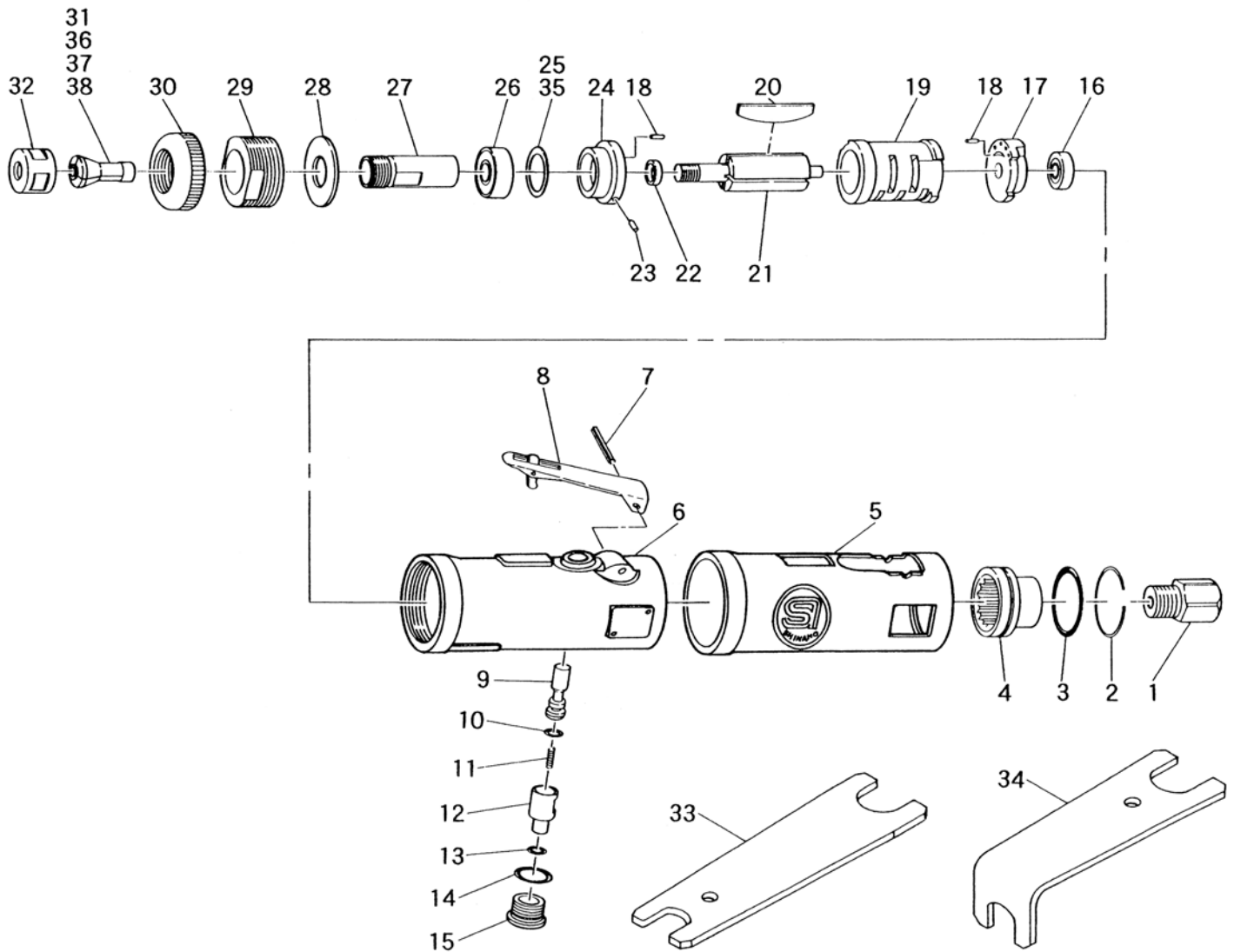


E2012

Die Grinder



| Ref. No. | Parts No. | Description | Q'ty | Ref. No. | Parts No. | Description | Q'ty |
|----------|-----------|--------------------------------------|------|----------|-----------|-------------------------------------|------|
| 1 | 180-1SC | Inlet Bushing incl. Screen (680-28A) | 1 | 20 | 350-16 | Rotor Blade | 4 |
| 2 | 620-30 | Retaining Ring | 1 | 21 | 350-15 | Rotor | 1 |
| 3 | 620-28 | O-Ring | 1 | 22 | 350-18 | Collar | 1 |
| 4 | 620-18 | Deflector | 1 | 23 | 25-3.5 | Roll Pin (2.5-3.5mm) | 1 |
| 5 | 892-2R | Housing Cover | 1 | 24 | 620-10 | Front Plate | 1 |
| 6 | 892-1 | Motor Housing incl. Bush (350-4) | 1 | 25 | 350-20 | Shim (0.03mm) | 1 |
| 7 | 30-24 | Roll Pin (3-24mm) | 1 | 26 | 6000-ZZ | Ball Bearing | 1 |
| 8 | 350-2L | Throttle Lever | 1 | 27 | 350-22 | Spindle | 1 |
| 9 | 350-5 | Valve Stem | 1 | 28 | 620-20 | Washer | 1 |
| 10 | P-5 | O-Ring | 1 | 29 | 620-14 | Lock Ring | 1 |
| 11 | 350-7 | Valve Spring | 1 | 30 | 620-34 | Housing Cap | 1 |
| 12 | 350-8 | Air Regulator | 1 | 31 | 330-24 | 1/4" Collet | 1 |
| 13 | P-8 | O-Ring | 1 | 32 | 350-23 | Collet Nut | 1 |
| 14 | P-11 | O-Ring | 1 | 33 | 350-28 | Spanner Wrench (14x19mm) | 1 |
| 15 | 350-10 | Valve Screw | 1 | 34 | 890-34 | Spanner Wrench (Angle Type 14x19mm) | 1 |
| 16 | 626-ZZ | Ball Bearing | 1 | ◆35 | 350-29 | Shim (0.05mm) | |
| 17 | 620-9 | Rear Plate | 1 | ◆36 | 330-25 | 1/8" Collet | |
| 18 | 25-5 | Roll Pin (2.5-5mm) | 2 | ◆37 | 330-26 | 3mm Collet | |
| 19 | 680-1 | Cylinder | 1 | ◆38 | 330-19 | 6mm Collet | |

◆Option