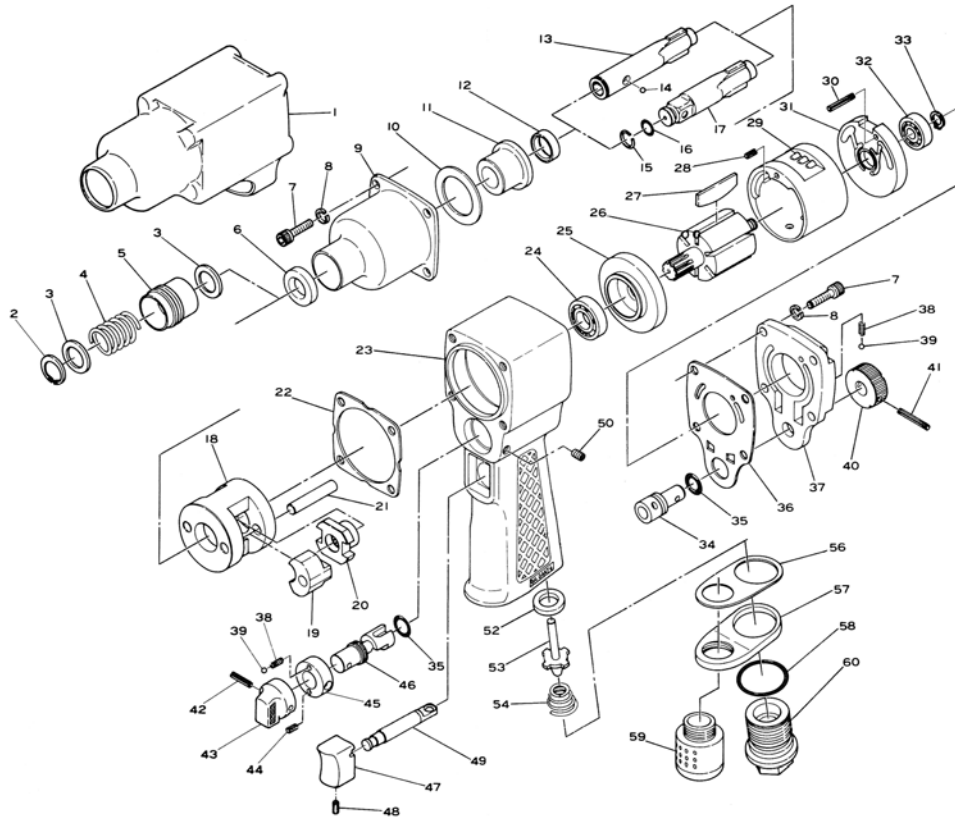


E1365D

1/4" Hex Impact Driver



Ref. No.	Parts No.	Description	Qty	Ref. No.	Parts No.	Description	Qty
1	458-58	Housing Cover	1	30	25-15	Roll Pin (2.5-15mm)	1
★2	GV-12	Retaining Ring	1	31	458-5	Rear Plate	1
★3	430-52	Retaining Washer	2	32	626	Ball Bearing	1
★4	430-53	Chuck Sleeve Spring	1	33	JS-6	Retaining Ring	1
★5	430-51	Chuck Sleeve	1	34	458-14	Air Regulator	1
6	450-17	O Seal	1	35	P-8	O-Ring	2
7	Z-1024-150	Cap Screw	8	36	458-3	Motor Gasket	1
8	HSW-50	Washer	8	37	458-2	Housing Cap	1
9	458-30	Hammer Housing incl. Bush, Oil Seal & Spacer (450-17, 450-20, 458-59)	1	38	960-50	Spring	2
10	458-59	Spacer	1	39	SB-1/8	Steel Ball	2
11	450-20	Anvil Bushing	1	40	911-37	Regulator Dial	1
12	450-54	Collar	1	41	30-20	Roll Pin (3-20mm)	1
★13	452-4K	1/4" Hex. Anvil	1	42	30-18	Roll Pin (3-18mm)	1
★14	SB-45	Steel Ball	1	43	458-22	Reverse Lever	1
☆15	450-10	Socket Retainer Ring	1	44	30-6	Roll Pin (3-6mm)	1
☆16	450-11	O-Ring	1	45	458-25	Spacer	1
☆17	452-2	3/8" Anvil	1	46	458-21	Reverse Valve	1
18	452-1	Hammer Cage	1	47	458-27	Trigger	1
19	450-51	Hammer Dog	2	48	R-M40-60	Set Screw	1
20	452-3	Cam	1	49	458-28	Valve Pin	1
21	450-52	Hammer Pin	2	50	R1-M50-60	Set Screw	1
22	458-31	Hammer Housing Gasket	1	52	960-34	Valve Seat	1
23	458-1	Motor Housing incl. Bushes (458-20, 458-29)	1	53	960-35A	Valve Assy. incl. Roll Pin (30-32)	1
24	EE-3	Ball Bearing	1	54	991-8	Valve Spring	1
25	458-4	Front Plate	1	56	458-46	Exhaust Gasket	1
26	458-7	Rotor	1	57	458-45	Exhaust Retainer	1
27	458-8	Rotor Blade	6	58	991-7	O-Ring	1
28	25-8	Roll Pin (2.5-8mm)	1	59	911-51	Muffler w/Cover & O-Ring	1
29	458-6	Cylinder	1	60	991-5SC	Inlet Bushing incl. Screen (680-28A)	1
				★61	181-51	+Bit No.2	1

* Not Shown ☆ For E-1365 only
★ For E-1365D only

Printed in Japan
★★ Mar. 1999