



AT313

Air Saw



Specifications

Cutting Capacity:

Mild Steel: 2.0mm

Aluminium: 3.0mm

Strokes Per Minute: 10,000

Net Weight: 0.65 kg

Avg Air Cons: 6.0 CFM

Air Inlet: 1/4" NPT

Additional Information

Cuts Mild Steel & Aluminium



Air Tools



endeavourtools
Innovation - Performance - Quality

Endeavour Tools PTY LTD
ABN 13 006 307 213

sales@endeavourtools.com.au
www.endeavourtools.com.au

Suite 1/2, 12-18
Victoria Street East
Lidcombe NSW 2141
Phone: +61 3 9753 3800 Phone: +61 2 9646 4222
Fax: +61 3 9753 3933 Fax: +61 2 9646 5399

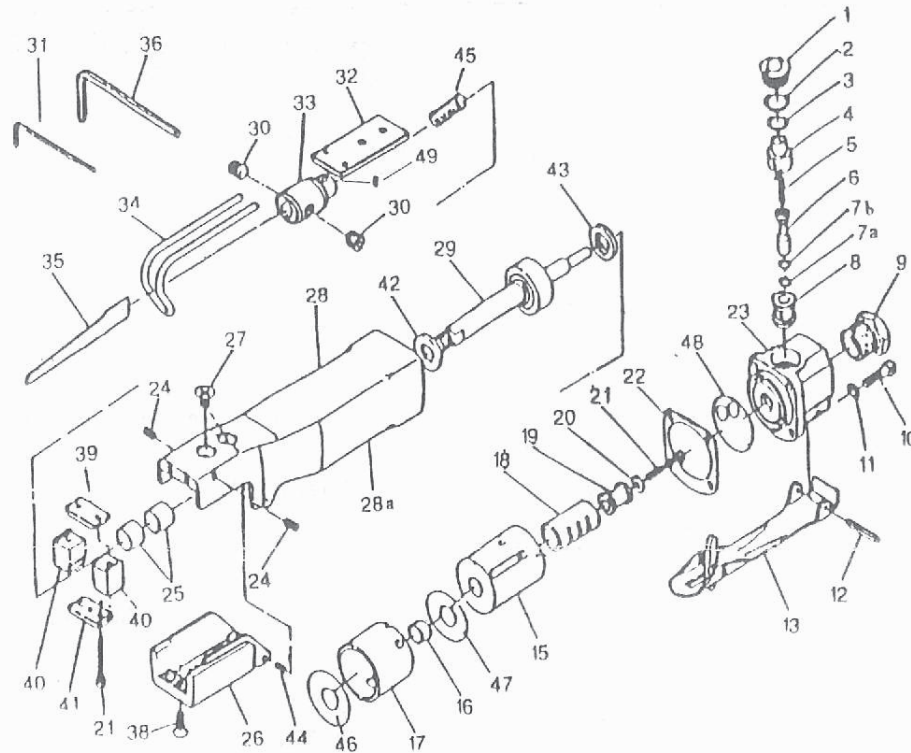
Ajax Air Tools

AT313

Air Saw



Air Tools
Made In Taiwan



INDEX	PART #	DESCRIPTION	INDEX	PART #	DESCRIPTION	INDEX	PART #	DESCRIPTION
1	313 01	Valve Screw	19	313 19	Actuate Valve	35A	313 35A	Blade (32T)
2	313 02	"O" Ring	20	313 20	Washer	35B	313 35B	Blade (24T)
3	313 03	"O" Ring	21	313 21	Cap Screw (3)	35C	313 35C	Blade (18T)
4	313 04	Air Controller Swivel	22	313 22	Gasket	35D	313 35D	Blade (14T)
5	313 05	Valve Spring	23	313 23	Valve Block	36	313 36	Hex. Wrench
6	313 06	Valve Stem	24	313 24	Set Screw (2)	38	313 38	Screw
7A	313 07	"O" Ring	25	313 25	Bush (2)	38A	313 38A	Retainer Ring
7B	313 08	"O" Ring	26	313 26	Clip Cover	39	313 39	Upper Wear Shoe
8	313 09	Valve Bushing	27	313 27	Screw (2)	40	313 40	Blade Guide (2)
9	313 10	Inlet Bushing	28	313 28	Housing	41	313 41	Bridge
10	313 11	Cap Screw (4)	28A	313 28A	Plastic Wrapper	42	313 42	Front Bumper
11	313 12	Spring Washer (4)	29	313 29	Piston Ass'y	43	313 43	Rear Bumper
12	313 13	Lever Pin	30	313 30	Set Screw (2)	44	313 44	Spring pin (2)
13	313 14	Throttle Lever	31	313 31	Hex. Wrench	45	313 45	Spring
15	313 15	Valve Case	32	313 32	Guide Plane	46	313 46	Packing
16	313 16	Bush	33	313 33	Blade Clip	47	313 47	Packing
17	313 17	Cylinder	34A	313 34	Blade Holder-L	48	313 48	Packing
18	313 18	Valve Sleeve	34B	313 35	Blade Holder-S	49	313 49	Set Screw