



AT115

Air Riveters Heavy Duty



Specifications

3 Jaws

1/4" Cap

1/8, 3/32, 5/32, 3/16, 1/4"

Nose pieces

Traction Power: 1,700kg

Stroke Length: 18mm

Pressure: 90 PSI

Additional Information

A heavy duty riveter, ideal for 1/4" stainless rivets.



9 321280 314955

Air Tools



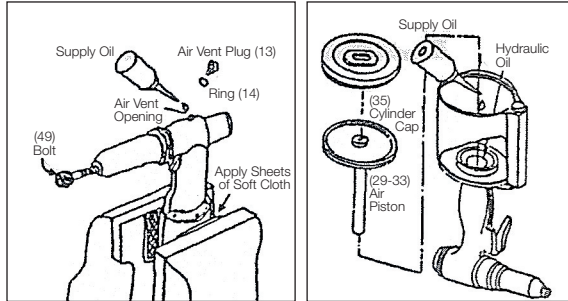
endeavourtools
Innovation - Performance - Quality

Endeavour Tools PTY LTD
ABN 13 006 307 213

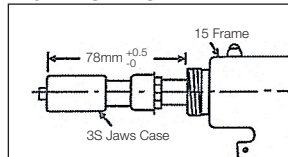
sales@endeavourtools.com.au
www.endeavourtools.com.au

Suite 1/2, 12-18
Victoria Street East
Lidcombe NSW 2141
Phone: +61 3 9753 3800 Phone: +61 2 9646 4222
Fax: +61 3 9753 3933 Fax: +61 2 9646 5399

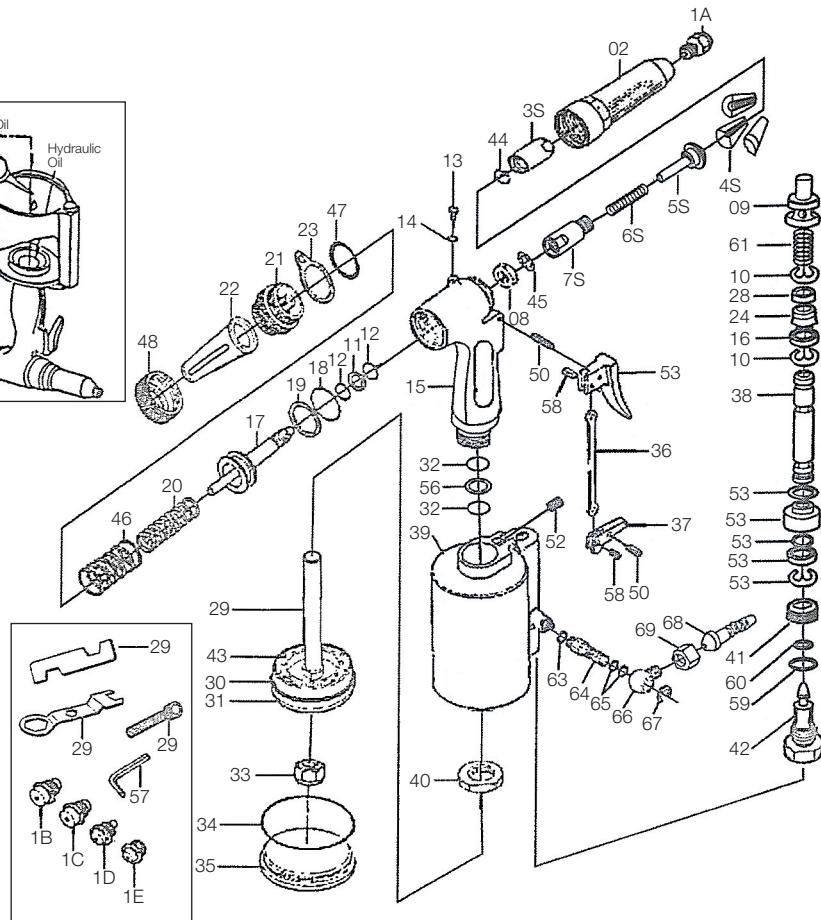
Adding Oil Method



Adjusting Length



Please Always Ensure The Part No. 13
Air Blow Plug Tight Threaded



Ref. No.	Description	Q'ty	Ref. No.	Description	Q'ty
01A	Nose Piece 6.4mm (1/4")	1	32	O-Ring	2
01B	Nose Piece 6.0mm	1	33	Rock Nut	1
01C	Nose Piece 4.8mm (3/16")	1	34	O-Ring	1
01D	Nose Piece 4.0 (5/32")	1	35	Cylinder Cap	1
01E	Nose Piece 3.2mm (1/8")	1	36	Trigger Rod	1
02	Nose Housing (25.5 X 93L)	1	37	Trigger Lever	1
◆ 02L	Long Nose Housing (205L)	1	38	Valve Tube	1
03S	Jaw Case	1	39	Air Cylinder	1
04S	Jaws (5 X 13L)	3	40	Frame Lock Nut	1
05S	Jaw Pusher	1	41	Nipple Screw	1
06S	Jaw Case Spring	1	42	End Plug	1
07S	Jaw Case Back Part	1	43	Rubber Cushion	1
◆ 07L	Long Jaw Case Back Part	1	44	Jaw Case O-Ring	1
08	Jaw Case Lock Nut	1	45	Washer Ring	1
09	Valve Pusher	1	46	Return Spring (Outer)	1
10	E-Ring	2	47	Frame Cap O-Ring	1
11	Back Up Ring	1	48	Cap Nut	1
12	O-Ring	2	49	Bolt Plug	1
13	Air Blow Plug	1	50	Pin	2
14	Packing	1	52	Lock Screw M6 X 5L	1
15	Frame	1	53	Trigger (Long)	1
16	Collar For Valve Tube	1	◆ 53A	Trigger (Short)	1
17	Oil Piston	1	54	Spanner 17 and 19	1
18	O-Ring	1	55	Spanner 14 and 19 and 28	1
19	Back Up Ring	1	56	Back Up Ring	1
20	Return Spring (Inner)	1	57	Hex. Wrench M5	1
21	Frame Cap	1	58	Trigger Pin	2
22	Safety Cap	1	59	O-Ring	1
23	Hanger Clip	1	60	Seal	1
24	Air Valve Seal	1	61	Pusher Spring	1
25	O-Ring	1	62	E-Ring	1
26	Valve Seat	1	◆ 63-67	Universal Joint Accessory (360°)	1 set
27	O-Ring	1	◆ 68	Air Hose Joint 5/16"	1 set
28	Ring Seal Washer	2	◆ 69	Air Hose Joint Nut 1/4"	
29	Air Piston Rod	1	◆ 70	Outer Thread Joint PM20	
30	O-Ring	1	◆ 71	Inner Thread Joint PF20	1
31	Air Piston	1			

◆ Option

0000.00.00
2009.12.25