



AT113

Air Riveters Standard Duty



Specifications

3 Jaws

1/4" Cap

1/8, 3/32, 5/32, 3/16, 1/4"

Nose pieces

Traction Power: 1,700kg

Stroke Length: 14mm

Additional Information

A high quality, general purpose riveter.
For 1/4" stainless rivets, use the AT115.



Air Tools



endeavourtools
Innovation - Performance - Quality

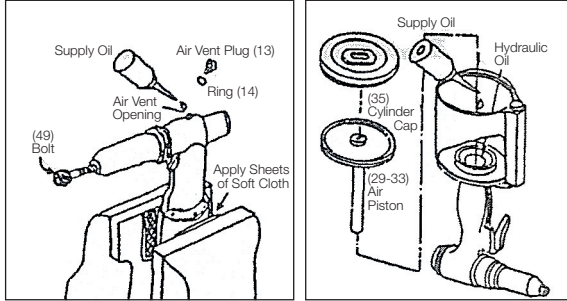
Endeavour Tools PTY LTD
ABN 13 006 307 213

sales@endeavourtools.com.au
www.endeavourtools.com.au

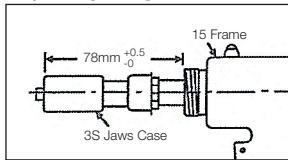
Suite 1/2, 12-18
Victoria Street East
Lidcombe NSW 2141
Phone: +61 3 9753 3800 Phone: +61 2 9646 4222
Fax: +61 3 9753 3933 Fax: +61 2 9646 5399



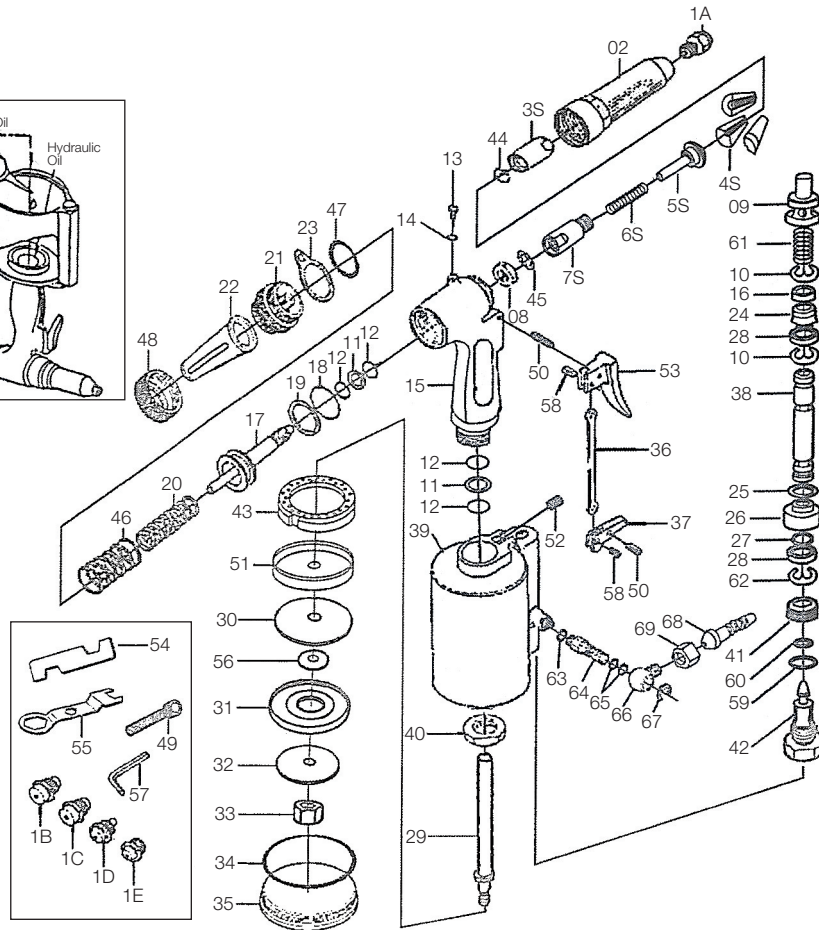
Adding Oil Method



Adjusting Length



Please Always Ensure The Part No. 13
Air Blow Plug Tight Threaded



Ref. No.	Description	Q'ty	Ref. No.	Description	Q'ty
01A	Nose Piece 6.4mm (1/4")	1	32	Packing Washer	1
01B	Nose Piece 6.0mm	1	33	Rock Nut	1
01C	Nose Piece 4.8mm (3/16")	1	34	O-Ring	1
01D	Nose Piece 4.0 (5/32")	1	35	Cylinder Cap	1
01E	Nose Piece 3.2mm (1/8")	1	36	Trigger Rod	1
02	Nose Housing (93L)	1	37	Trigger Lever	1
◆ 02L	Long Nose Housing (205L)		38	Valve Tube	1
03S	Jaw Case	1	39	Air Cylinder	1
04S	Jaws (5 X 13L)	3	40	Frame Lock Nut	1
05S	Jaw Pusher	1	41	Nipple Screw	1
06S	Jaw Case Spring	1	42	End Plug	1
07S	Jaw Case Back Part	1	43	Rubber Cushion	1
◆ 07L	Long Jaw Case Back Part		44	Jaw Case O-Ring	1
08	Jaw Case Lock Nut	1	45	Washer Ring	1
09	Valve Pusher	1	46	Return Spring (Outer)	1
10	E-Ring	2	47	Frame Cap O-Ring	1
11	Back Up Ring	2	48	Cap Nut	1
12	O-Ring	4	49	Bolt Plug	1
13	Air Blow Plug	1	50	Pin	2
14	Packing	1	51	Rubber Cushion Seat	1
15	Frame	1	52	Lock Screw M6 X 5L	1
16	Collar For Valve Tube	1	53	Trigger (Long)	1
17	Oil Piston	1	◆ 53A	Trigger (Short)	1
18	O-Ring	1	54	Spanner 17 and 19	1
19	Back Up Ring	1	55	Spanner 14 and 19 and 28	1
20	Return Spring (Inner)	1	56	Piston Washer Seat	1
21	Frame Cap	1	57	Hex. Wrench M5	1
22	Safety Cap	1	58	Trigger Pin	2
23	Hanger Clip	1	59	O-Ring	1
24	Air Valve Seal	1	60	Seal	1
25	O-Ring	1	61	Pusher Spring	1
26	Valve Seat	1	62	E-Ring	1
27	O-Ring	1	◆ 63-67	Universal Joint Accessory (360°)	1 set
28	Ring Seal Washer	2	◆ 68	Air Hose Joint 5/16"	1 set
29	Air Piston Rod	1	◆ 69	Air Hose Joint Nut 1/4"	
30	Air Piston Board	1	◆ 70	Outer Thread Joint PM20	1
31	Cup Packing	1	◆ 71	Inner Thread Joint PF20	1

◆ Option

0000.00.00
2009.12.25

0115-01AA