

124145154 Soda Blasting Gun

Sodablaster

Clean or remove without damaging

This Sodablaster is an enhancement of our original successful Sodablasting Gun. The nozzle on this Sodablaster is already set for the optimal output and it is possible to change the precision nozzle. A high-performance wide nozzle is available as additional fitting (SKU: 124145955).

This Sodablaster is equipped with a practical, refillable container (1.2 L). The Sodablasting Gun is suitable for hobby as well as professional use.

The Sodablaster uses soda specifically intended for blasting.

Sodablasting is a fast and gentle method of removing paint and corrosion - even from hard to reach places. Sodablasting neither warms up, nor stretches the sheet metal. Sodablasting does not damage glass, rubber or plastic and due to this fact, sodablasting requires a minimal need for shielding. Sodablasting protects the bare metal from rusting right away in contrast to sandblasting.

Sodablasting removes anti-fouling paint from boat without damaging the hull. Sodablasting removes varnish and doesn't damage seals (rubber or plastic).

Sodablasting cleans paint from glass surfaces or window frames without damaging the glass or rubber seals. Sodablasting removes varnish from wooden furniture. Sodablasting is gentle and environmentally friendly.

Always use P2 respiratory protection, hearing protection and eye- and facemask when blasting with soda. Blasting soda is pure NaHCO₃, i.e. normal baking soda. It is not dangerous, but may be harmful if inhaled as dust.

NB! requires a compressor with a capacity of at least 2.5 HP / 180 l/min.

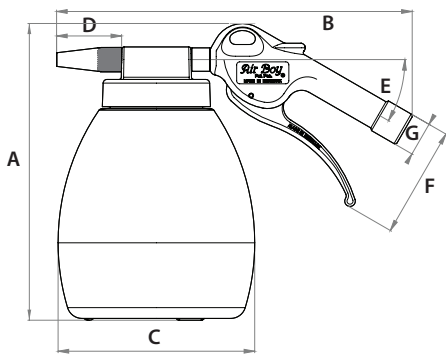


Precision nozzle
124145950

Wide nozzle
124145955



Watch Video



Dimensions

A	196.2 mm	C	∅ 130 mm	E	30 °	G	∅ 22.6 mm
B	235.1 mm	D	43 mm	F	73.6 mm		1/4 " BSP

Materials		Specifications		Accessories		Code no.	
Handle and trigger	Acetal plastic	P	6 - 12 Bar (87 - 174 psi)	Soda specifically intended for blasting: 5 litre		320103-000	
Valve	Acetal plastic		minimum 180 l/min	Soda specifically intended for blasting: 25 kg		320101-000	
Gaskets / O-rings	Nitrile		~0,411 kg	Precision nozzle in hardened steel, el. galv.		145950-000	
Nozzle	Hard. steel, el.galv.			Wide nozzle in POM - 3 pcs.		145955-000	
Spring	Hardened spring wire			Container 1.2 Litre		143200	



Made in Denmark

www.jwl.dk