

124140135 Silent Air Boy®



Silent Air Boy®

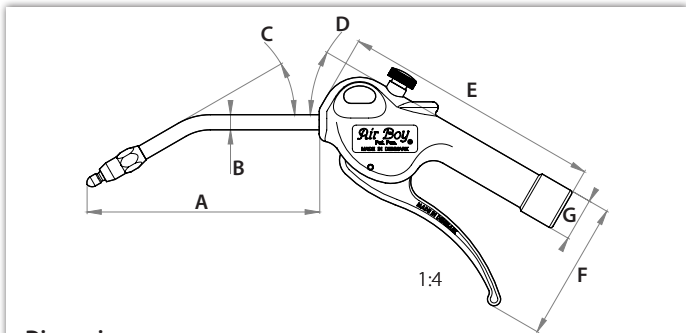
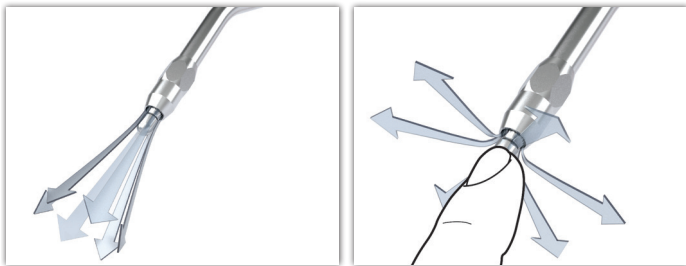
Low noise level and unblockable

Blowgun with bent pipe and air adjustment screw, $\varnothing 8\text{mm}$

The Silent Air Boy® combines all the best features. It is silent with only 74 dB at 8 bar and complies with OSHAs and EU's requirements in regards to noise level. The construction of the nozzle secures that the nozzle is unblockable and therefore complies with OSHA STD 1-13.1 requirements.

The ergonomic design is a classic in itself. We use the compressed air to ease the activating of the handle making it easy, accurate and simple to operate.

The Silent Air Boy® is produced in an impact-resistant acetal plastic (POM).



Dimensions

A	122.8 mm	C	30 °	E	138 mm	G	$\varnothing 22.6 \text{ mm}$
B	$\varnothing 8 \text{ mm}$	D	30 °	F	73.6 mm		$\frac{1}{4} \text{ " BSP}$



25

Year Warranty
Jahre Garantie
ans de Garantie
años de garantía
års garanti

The durability of our blowguns is top notch - even after 28 million operations. Therefore, we are also proud to offer you a 25 year warranty on the valve system in your Air Boy® blowgun!

Materials

Handle and trigger	Acetal plastic
Valve	Acetal plastic
Gaskets / O-rings	Nitrile
Blowing tube & shaft	Steel, el. galvanised
Spring	Hardened spring wire

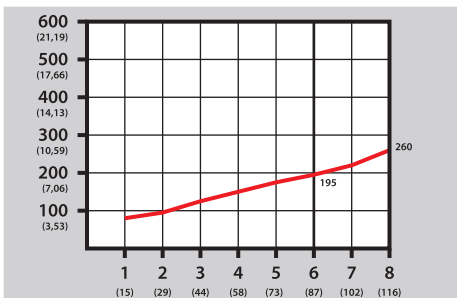
Specifications

	Max 16 bar
	260 l/min (8bar)
	74 dB (8 bar), (72 db at 6 bar)
	-10°C to +60°C
	~0,1020 kg

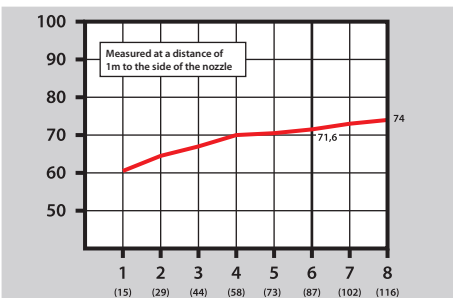
Directives

	2003/10/CE	Max 85 dB	OK
	OSHA 1910.95 (b)	Max 90 dB 8 hr	OK
	OSHA STD 1-13.1	Max 30 psi when blocked	OK

Flow l/min(cfm) / bar(psi)



Noise level dB / bar(psi)



Blowing force Newton (g) / bar(psi)

