

124140114 Air Boy® Classic



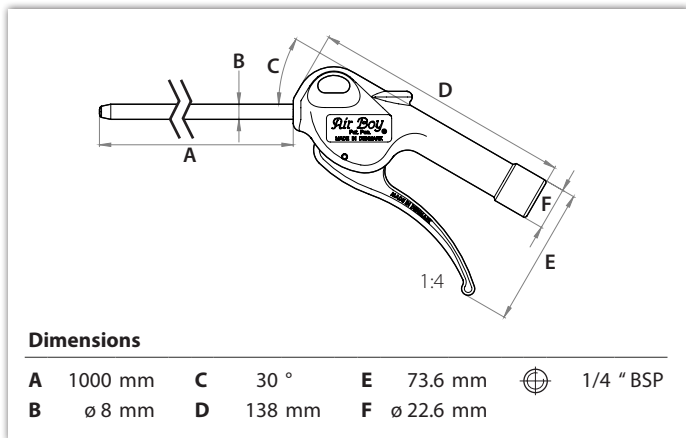
Air Boy® Classic

Robust and impact resistant, infinitely adjustable, leak free

Blowgun with 1000mm straight pipe, ø8mm

The Air Boy® ergonomic design is a classic in itself. We use the compressed air to ease the activation of the handle making it easy, precise and simple to operate.

The Air Boy® Classic is produced in an impact-resistant acetal plastic (POM)



25

Year Warranty
Jahre Garantie
ans de Garantie
años de garantía
års garanti

The durability of our blowguns is top notch - even after 28 million operations. Therefore, we are also proud to offer you a 25 year warranty on the valve system in your Air Boy® blowgun!

Materials

Handle and trigger	Acetal plastic
Valve	Acetal plastic
Gaskets / O-rings	Nitrile
Blowing tube & shaft	Steel, el. galvanised
Spring	Hardened spring wire

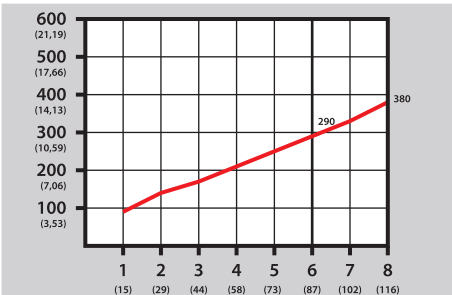
Specifications

	Max 16 bar
	380 l/min (8 bar)
	85 dB (8 bar), 84 dB (6 bar)
	-10°C to +80°C
	~0,105 kg

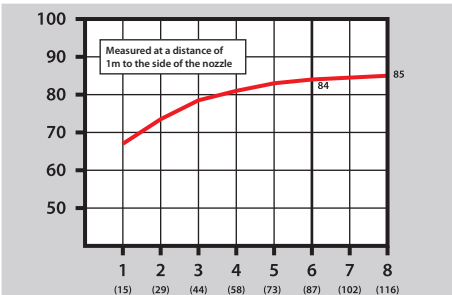
Directives

	2003/10/CE	Max 85 dB	OK
	OSHA 1910.95 (b)	Max 90 dB 8 hr	OK
	OSHA STD 1-13.1	Max 30 psi when blocked	-

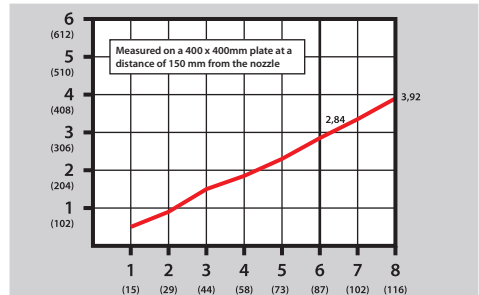
Flow l/min(cfm) / bar(psi)



Noise level dB / bar(psi)



Blowing force Newton (g) / bar(psi)



Made in Denmark

www.jwl.dk