

# 124140009 Air Boy® Thrust

## Air Boy® Thrust

Very high airflow



Thrust nozzle (144219)

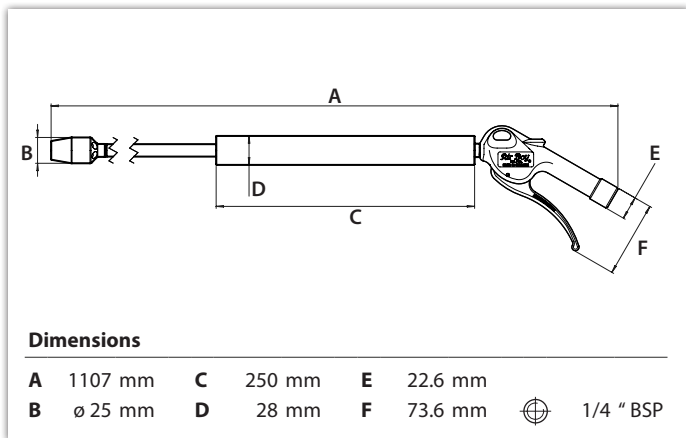
90° Angle Nozzle (144220)

The Air Boy® Thrust blowgun provides a very high airflow and the Thrust nozzle is unblockable

The Air Boy® Thrust blowgun comes with both a venturi nozzle (Thrust) and a 90° angle nozzle. The Thrust nozzle increases the airflow by 100% due to the venturi principle. The 90° angle nozzle is ideal for cleaning inside cylindrical objects or hard to reach places.

The Air Boy® Thrust blowgun is well suited for commercial vehicles, trade and industry and cleaning areas with restricted access on vehicles, machinery and agricultural machinery.

The lance is equipped with an insulated area to protect the hand from the cold air.



### Materials

Handle and trigger	Acetal plastic
Valve	Acetal plastic
Gaskets / O-rings	Nitrile
Blowing tube	Aluminium
Spring	Hardened spring wire

### Specifications

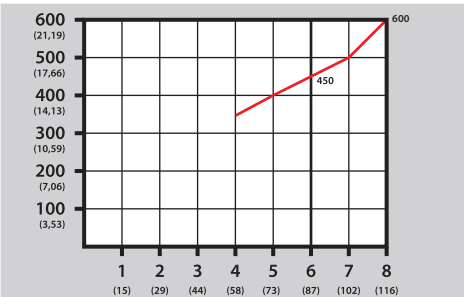
	Max 12 bar
	600 l/min (8bar)
	98,2 dB (8 bar), (101,5 db at 6 bar)
	-20°C to +80°C
	~0,320 kg

### Directives

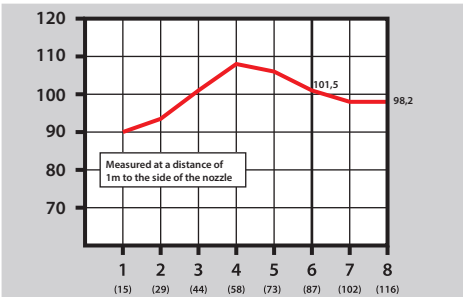
	2003/10/CE	Max 85 dB	-
	OSHA 1910.95 (b)	Max 90 dB 8 hr	-
	OSHA STD 1-13.1	Max 30 psi when blocked	OK*1

\*1 Only Thrust nozzle

### Flow l/min(cfm) / bar(psi)



### Noise level dB / bar(psi)



### Blowing force Newton (g) / bar(psi)

