

Jet Washer

Effective cleaning without splash back and damage

The Jet Washer is a powerful washing gun which allows you to clean and wash effectively without damaging the surface with high pressure.

The combination of compressed air and water gives ideal conditions for washing where more power is needed than a common water supply can provide. The Jet Washer is designed to allow operators to come close, without getting wet. There is no splash back.

With the adjustments for both air and water flow it is possible to turn off the water directly on the washing gun. Furthermore, the built-in swivel allows the connected water hose to rotate freely around the washing gun.

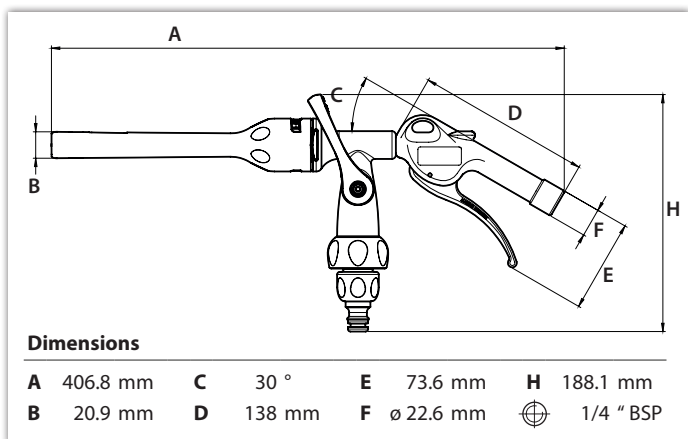
The Jet Washer comes as a standard with a wide washing nozzle, which easily can be changed for other nozzles – eg. the Jet Flusher nozzle. Water can be connected either by using the supplied nipple (1/2" /ø13) that fits most common water couplings or by using the built in 3/4" GHT water hose thread.

Features

- Effective cleaning
- No splash back
- Multi functional – possible to change the nozzle
- Adjustable air and water flow
- Great mobility - built-in swivel
- Perfect for cleaning hard to reach places



Watch video



Materials

Handle and trigger	Acetal plastic
Valve	Acetal plastic
Gaskets/O-rings	Nitrile
Nozzle	POM
Spring	Hardened spring wire
Internal nozzle	Steel, electrically galvanised

Specifications

Working pressure	6 - 10 Bar (87 - 145 psi)
Air consumption	minimum: 200 l/min. / 2,5 HP air compressor
Weight	~0,40 kg
Water connection	1/2" Nipple for water coupling / 3/4" GHT thread
Air connection	1/4" internal thread (BSP)

