

AT497L-9

9" Air Angle Grinder

TECHNICAL

Free Speed

:7.0

DATA

Power

:00RPM

Operating Air Pressure

:1.4HP

Spindle Size

:90PSI

Air Consumption

:M14

Net Weight

:930L/min

Air Inlet

:3.5Kgs (7.88Lbs)

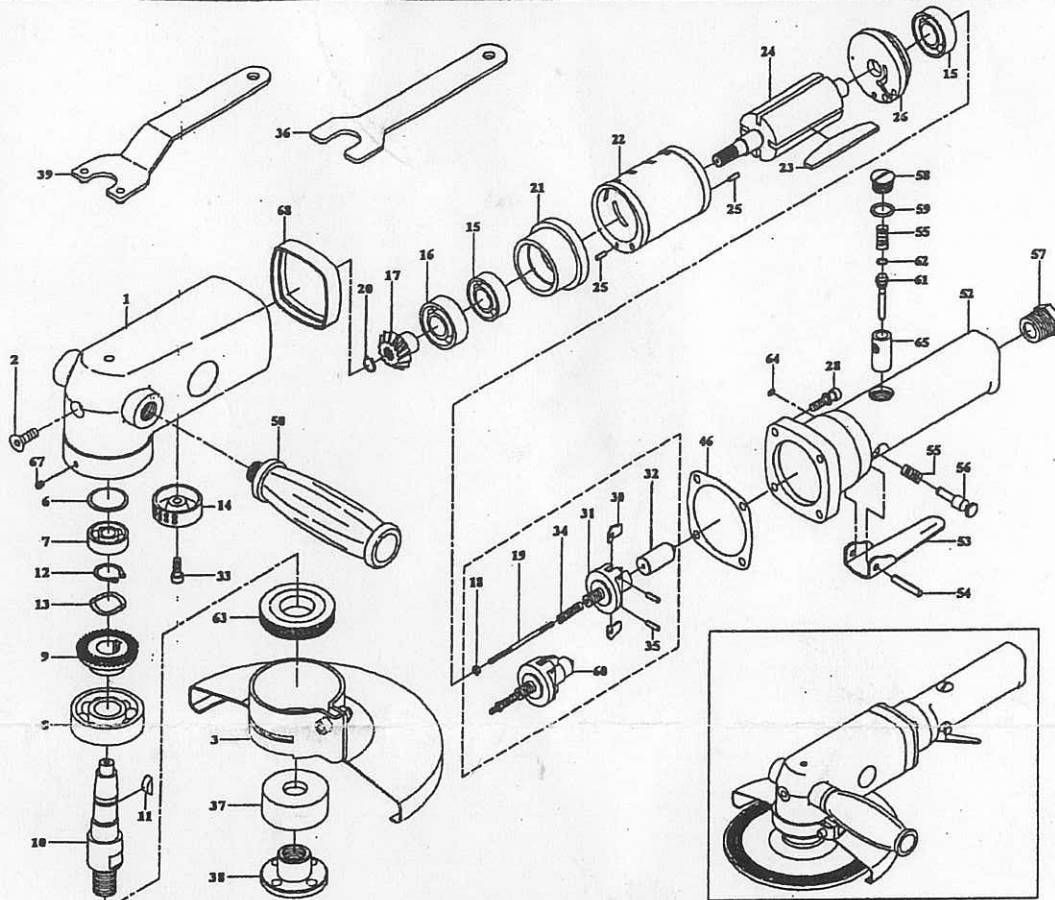
Air Hose Size

:1/4"-18NPT (19PT)

:3/8" I.D.



AJAX



PARTS LIST

Index	Parts No.	Description	Index	Parts No.	Description
1	497L-01	Body	31	497L-31	Governor
2	497L-02	Screw	32	497L-32	Plunger
3	497L-03A	Disc Cover	33	497L-33	Screw
6	497L-06	Spacer	34	497L-34	Spring
7	497L-07	Ball Bearing	35	497L-35	Spring Pin (2)
8	497L-08	Ball Bearing	36	497L-36	Stop Spanner
9	497L-09	Bevel Gear	37	497L-37	Disc Receiver
10	497L-10	Gear Shaft	38	497L-38	Pad Nut
	497L-10A	Gear Shaft (M14)	39	497L-39	Disc Spanner
11	497L-11	Key	46	497L-46	Gasket
12	497L-12	Retaining Ring	50	497L-50	Dead Handle
13	497L-13	Spring Washer	52	497L-52	Governor Case
14	497L-14	Exhaust Deflector	53	497L-53	Lever
15	497L-15	Ball Bearing (2)	54	497L-54	Spring Pin
16	497L-16	Ball Bearing	55	497L-55	Valve Spring (2)
17	497L-17	Bevel Pinion	56	497L-56	Safe Lever
18	497L-18	Adjust Nut	57	497L-57	Hose Adaptor
19	497L-19	Adjust Screw	58	497L-58	Valve Screw
20	497L-20	Retaining ring	59	497L-59	"O" Ring
21	497L-21	Front Plate	60	497L-60	Governor Ass'y
22	497L-22	Cylinder	61	497L-61	Valve Pin
23	497L-23	Rotor Blade (4)	62	497L-62	"O" Ring
24	497L-24	Rotor	63	497L-63	Nut
25	497L-25	Spring Pin (2)	64	497L-64	Retaining Ring
26	497L-26	Rear Plate	65	497L-65	Valve Bushing
28	497L-28	Cap Screw (4)	67	497L-67	Screw
30	497L-30	Pendulum (8)	68	497L-68	Rubber

Specifications and design are subject to change without notice.