



**ENDEAVOUR TOOLS PTY. LTD.**

Endeavour Tools Pty. Ltd.  
50 Jellico Drive  
Scoresby, Vic, 3179.  
Telephone: (03)9753-3800

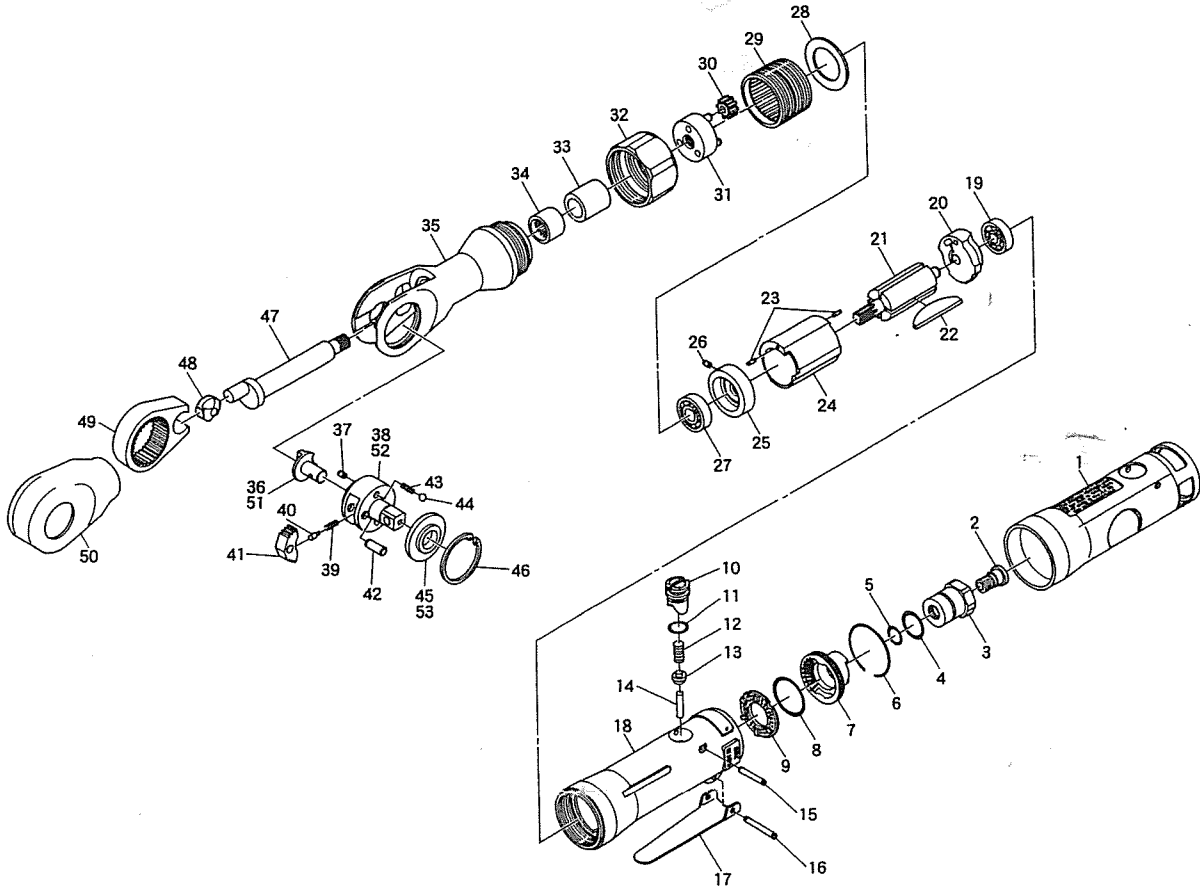
2/10 Ferngrove Place, Chester Hill,  
N.S.W., Australia, 2162.  
Telephone: (02)9743-7244

**E-1340A**

**3/8" Sq. Dr. Ratchet Wrench Rear Exhaust**

**E-1345A**

**1/2" Sq. Dr. Ratchet Wrench Rear Exhaust**



Ref. No.	Parts No.	Description	Q'ty	Ref. No.	Parts No.	Description	Q'ty
1	303-2NBO	Housing Cover	1	28	670-18	Lock Washer	1
2	303-10	Bushing Retainer	1	29	300-23	Internal Gear	1
3	303-3	Inlet Bushing	1	30	300-13	Planet Gear	3
4	S-15	O-Ring	1	31	301-2	Planet Cage incl. Planet Pins(300-21x3)	1
5	P-9	O-Ring	1	32	670-25	Lock Ring	1
6	303-7	Retaining Ring	1	33	300-43	Bush	1
7	303-4	Deflector	1	34	HK1212	Needle Bearing	1
8	620-28	O-Ring	1	35	302DY-2	Ratchet Housing	1
9	303-8	Silencer	1	36	300-19	Reverse Lever for 3/8" Sq. Anvil	1
10	303-9	Air Regulator	1	37	30-5	Roll Pin (3-5mm)	1
11	S-9	O-Ring	1	38	300-5	3/8" Sq. Anvil incl. Pin (30-5)	1
12	670-49	Valve Spring	1	39	670-45	Reverse Spring	1
13	300-10	Valve	1	40	670-17	Reverse Pin	1
14	310-4S	Valve Pin	1	41	670-9	Ratchet Pawl	1
15	25-24	Roll Pin (2.5-24mm)	1	42	670-27	Dowel Pin	1
16	30-24	Roll Pin (3-24mm)	1	43	800B-44	Thrust Washer Spring	2
17	350-2	Throttle Lever	1	44	SB-5/32	Steel Ball	2
18	303-1	Motor Housing incl. Bush (310-1S)	1	45	670-26	Thrust Washer for 3/8" Sq. Anvil	1
19	626	Ball Bearing	1	46	IO-30	Retaining Ring	1
20	303-6	Rear Plate	1	47	300-20	Crank Shaft	1
21	300-12	Rotor	1	48	670-8	Drive Bushing	1
22	301-15	Rotor Blade	4	49	670-3	Yoke	1
23	15-6	Roll Pin (1.5-6mm)	2	50	150-550	Boot	1
24	303-11	Cylinder	1	★51	671H-3	Reverse Lever for 1/2" Sq. Anvil	1
25	303-5	Front Plate	1	★52	671H-2	1/2" Sq. Anvil incl. Pin (30-5)	1
26	25-4	Roll Pin (2.5-4mm)	1	★53	671H-1	Thrust Washer for 1/2" Sq. Anvil	1
27	608	Ball Bearing	1				

★For E-1345A

Printed in Japan  
Aug. 2001