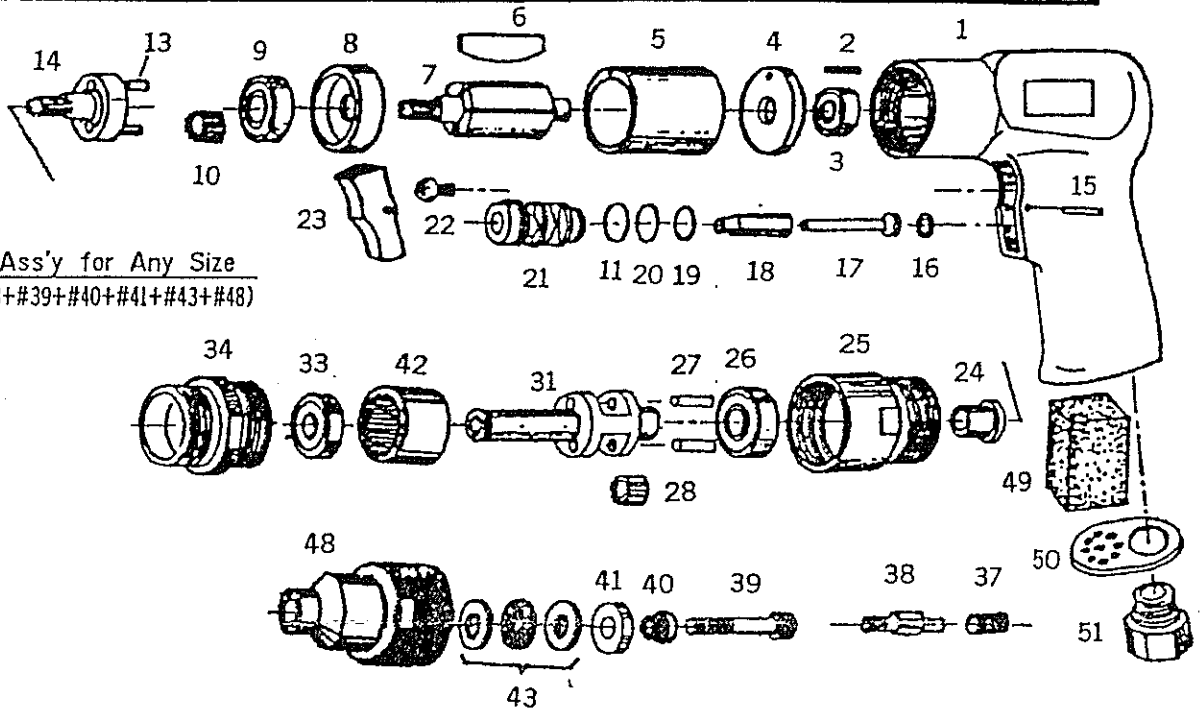


AT803 Thread Setter Tool M8/M10

TECHNICAL	Rivet Nut Setting Capacity	: M8,M10
DATA	Free Speed	: 350 RPM
	Air Inlet	: 1/4"-18NPT (19PT)
	Net Weight	: 1.3KGS
	All Length	: 7-3/8"
	Opt. Air Pressure	: 90PSI
	Avg. Air Consumption	: 5 CFM



AJAX



PARTS LIST

INDEX.	PART #	DESCRIPTION
1	803 01	Motor Housing
2	803 02	Spring Pin
3	803 03	Ball Bearing
4	803 04	Rear End Plate
5	803 05	Cylinder
6	803 06	Rotor Blade (4)
7	803 07	Rotor
8	803 08	Front End Plate
9	803 09	Ball Bearing
10	803 10	Planet Gear (3)
11	803 11	Planet Pin (3)
13	803 13	"O" Ring
14	803 14	Planet Cage
15	803 15	Roll Pin
16	803 16	"O" Ring
17	803 17	Valve Stem (2)
18	803 18	Valve Sleeve (2)
19	803 19	"O" Ring (2)
20	803 20	"O" Ring (2)
21	803 21	Throttle Valve Bushing (2)
22	803 22	Screw
23	803 23	Trigger
24	803 25	Bushing

INDEX.	PART #	DESCRIPTION
25	803 25	Gear Housing
26	803 26	Ball Bearing
27	803 27	Planet Pin (2)
28	803 28	Planet Gear (2)
31	803 31	Planet Cage
33	803 33	Ball Bearing
34	803 34	Screw Housing
37	803 37	Spring
38A	803 38A	Hexagon Bit (M5)
38B	803 38B	Hexagon Bit (M6)
39A	803 39A	Blot (M5)
39B	803 39B	Blot (M6)
40A	803 40A	Blot Bushing (M5)
40B	803 40B	Blot Bushing (M6)
41	803 41	Washer
42	803 42	Internal Gear
43	803 43	Needle Bearing & Washer (2)
48A	803 48A	Nut Anvil (M5)
48B	803 49B	Nut Anvil (M6)
49	803 49	Muffler
50	803 50	Diffuser Exhaust
51	803 51	Air Inlet Bushing