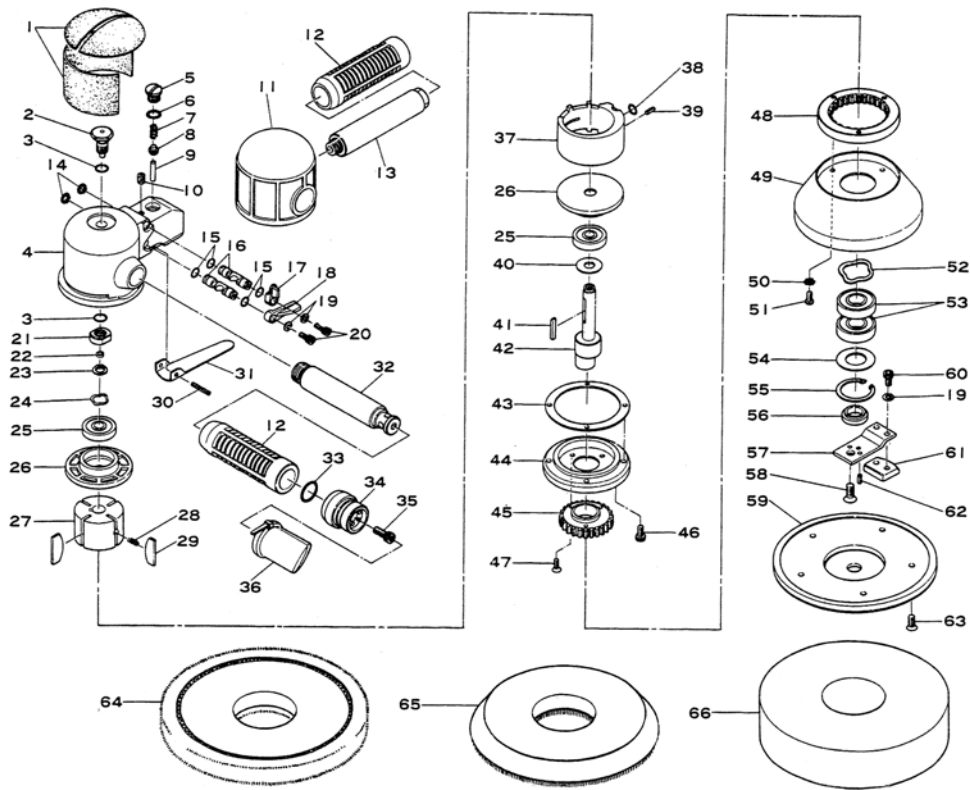


E2410 Polisher



Ref. No.	Parts No.	Description	Q'ty	Ref. No.	Parts No.	Description	Q'ty
1	256-64	Insulating Cloth	1	34	256-5	Deflector	1
2	256-13	Fresh Air Intake	1	35	Z-M60-100	Cap Screw	1
3	S-10	O-Ring	2	36	256-62	Oil Filter	1
4	256-1	Motor Housing incl. Bush & Screw (670-10, ROM60-60)	1	37	482-39	Cylinder	1
5	800-14	Valve Screw	1	38	P-7	O-Ring	1
6	P-9	O-Ring	1	39	30-6	Roll Pin (3-6mm)	1
7	670-49	Valve Spring	1	40	481-10	Spacer (Brass)	1
8	300-10	Valve	1	41	482-16	Key	1
9	670-23	Valve Pin	1	42	256-12	Crank Shaft	1
10	ROM60-60	Set Screw	1	43	256-15	Motor Gasket	1
11	256-8	Housing Cover	1	44	256-3	Motor Retainer	1
12	266-35	Grip Rubber	2	45	256-11	Pinion Gear	1
13	480-15	Handle Grip	1	46	Z-M50-100	Cap Screw	4
14	JS-8	Retaining Ring	2	47	Y-M40-120	Screw	3
15	P-4	O-Ring	4	48	256-10	Internal Gear	1
16	256-16	Regulator	2	49	256-2	Balancer Cover	1
17	256-7	Lever A	1	50	BT-40	Washer	3
18	256-6	Lever B	1	51	A-M40-120	Screw	3
19	HSW-40	Washer	4	52	BWW-6202	Wave Washer	1
20	Z-M40-80	Cap Screw	2	53	6003-LLU	Ball Bearing	2
21	256-14	Lock Nut	1	54	256-20	Seal Plate	1
22	G4-8-2	Oil Seal	1	55	JO-35	Retaining Ring	1
23	JS-10	Retaining Ring	1	56	256-19	Collar	1
24	WW-100	Wave Washer	1	57	256-18	Balancer Arm	1
25	6200-ZZ	Ball Bearing	2	58	Y-M60-160	Screw	1
26	640-12TB	End Plate	2	59	256-4	Pad	1
27	481-6TS	Rotor	1	60	Z-M40-100	Cap Screw	2
28	490-1	Blade Spring	2	61	256-9	Weight	1
29	470-9	Rotor Blade	4	62	30-12	Roll Pin (3-12mm)	1
30	30-24	Roll Pin (3-24mm)	1	63	E-M40-100	Screw	5
31	350-2	Throttle Lever	1	64	256-67	Polishing Buff Round Type	1
32	266-37	Dead Handle	1	65	256-68	Polishing Buff Taper Type	1
33	P-18	O-Ring	1	◆66	256-69	Sponge Buff	

◆Option